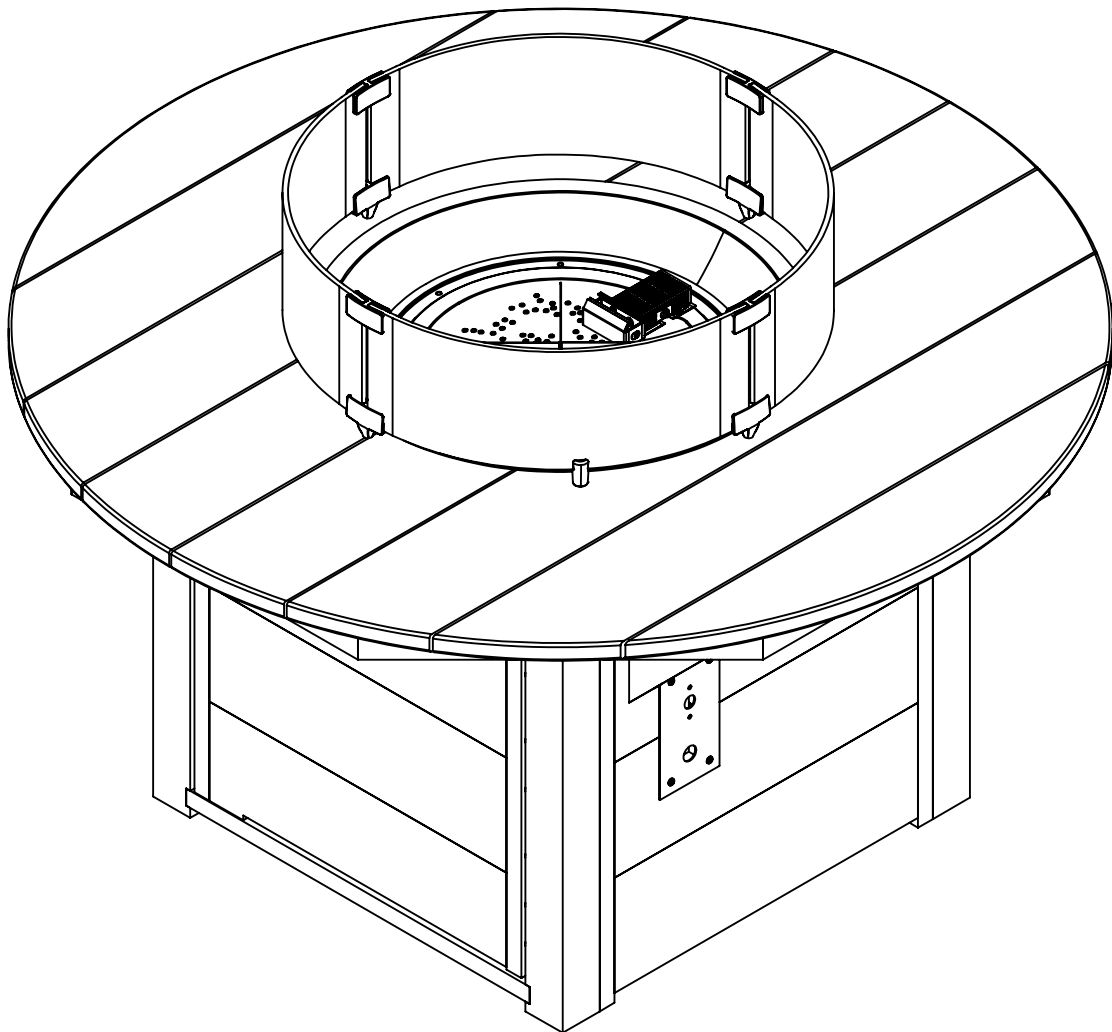


C.R. PLASTIC PRODUCTS

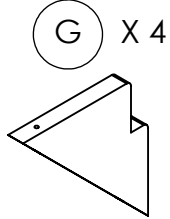
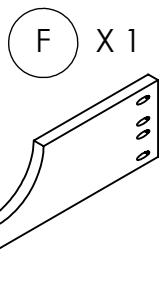
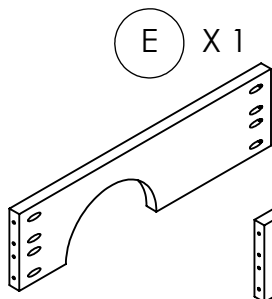
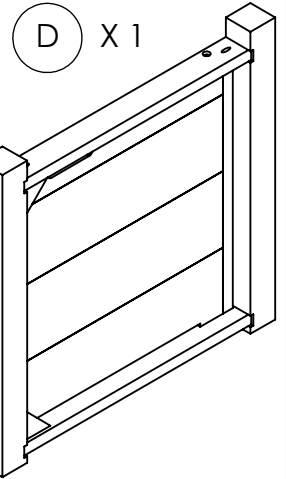
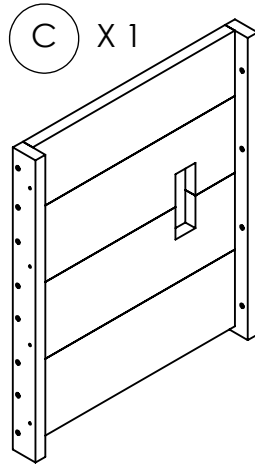
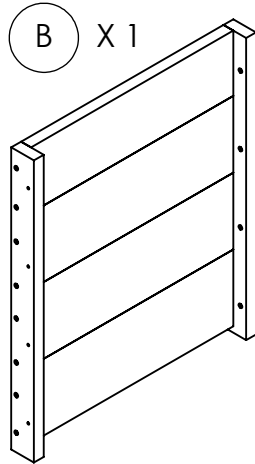
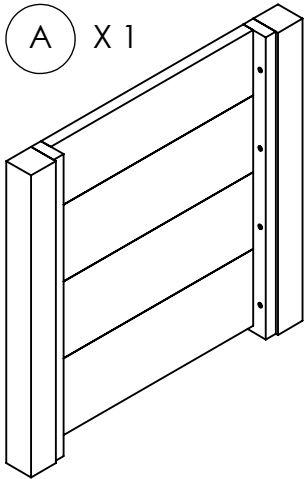
we create sustainable outdoor living

FT02

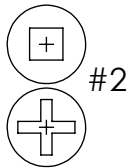
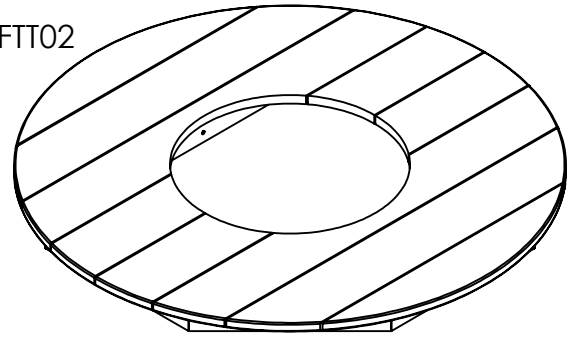


C.R. PLASTIC PRODUCTS

we create sustainable outdoor living



FTT02



(H) X 46 1.5" / 38 mm



(J) X 4 0.75" / 19 mm



1-866-439-9521



wecare@crplastics.com



www.crpproducts.com

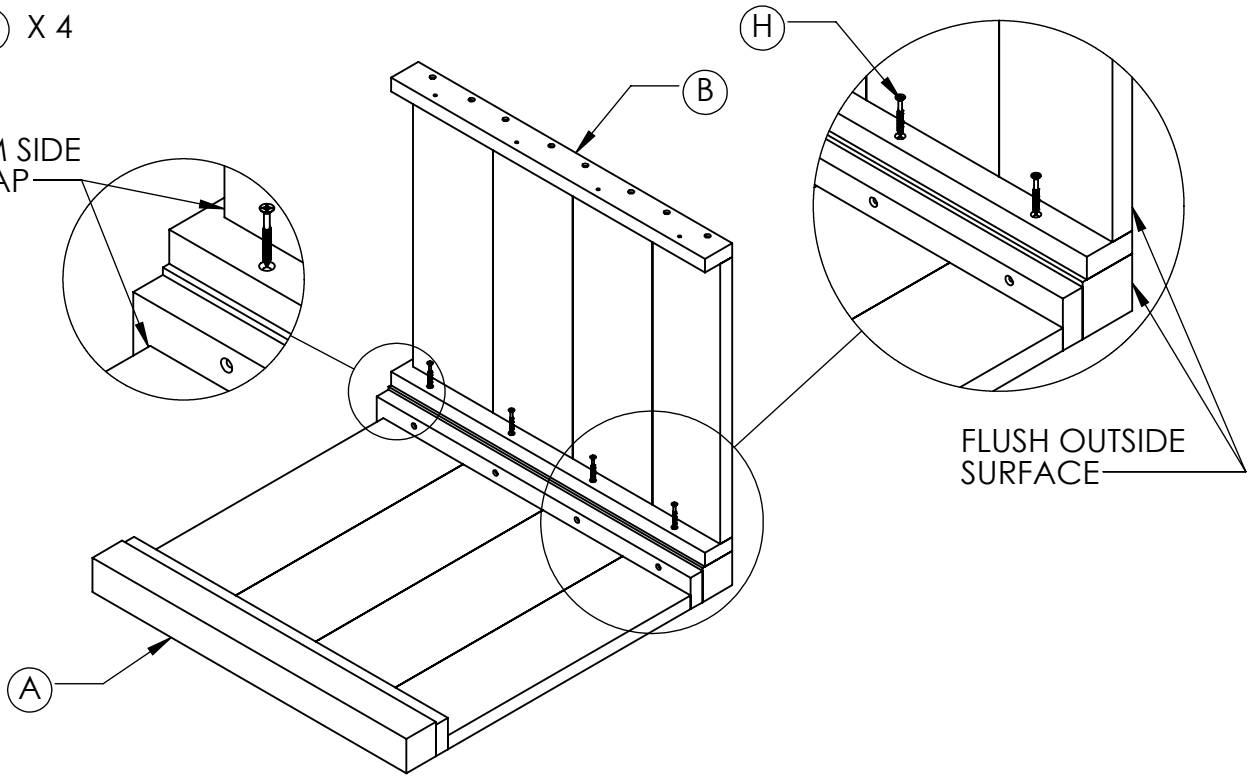
1

(A) X 1

(B) X 1

(H) X 4

BOTTOM SIDE
WITH GAP

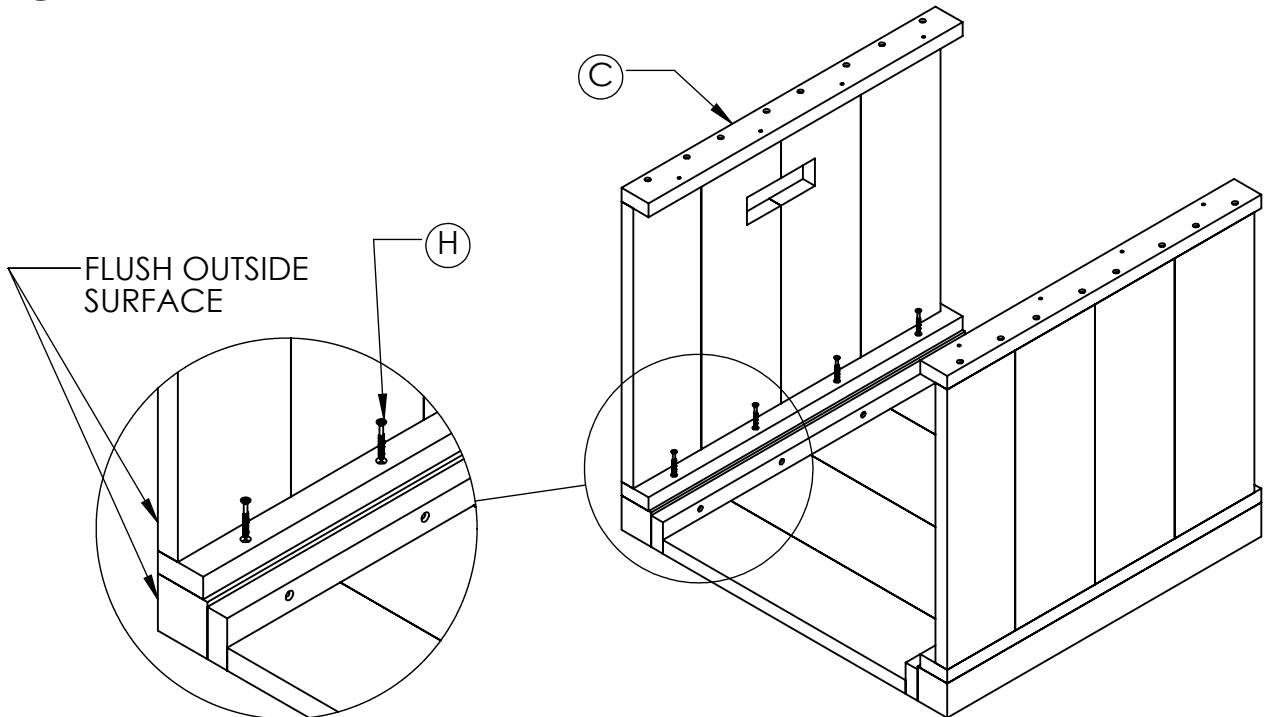


2

(C) X 1

(H) X 4

FLUSH OUTSIDE
SURFACE



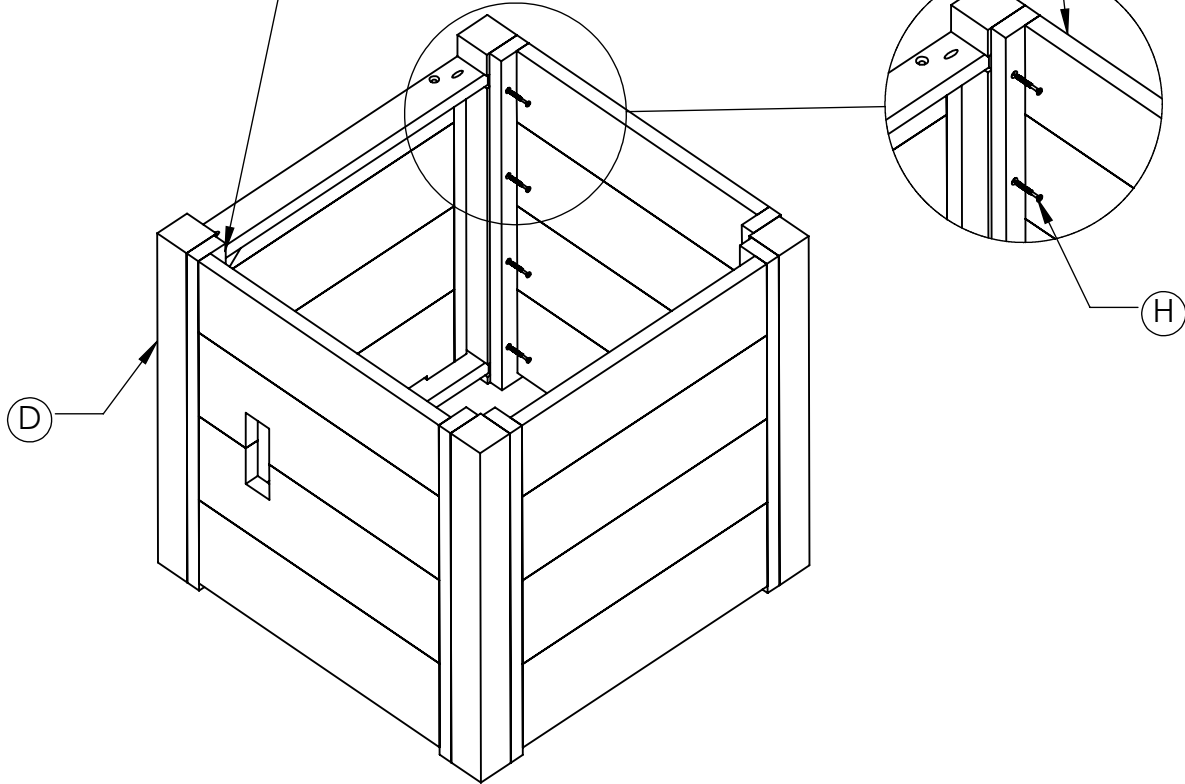
3

ⓓ X 1

ⓗ X 8

ⓗ X 4 HIDDEN SCREWS
THIS SIDE

FLUSH OUTSIDE
SURFACE

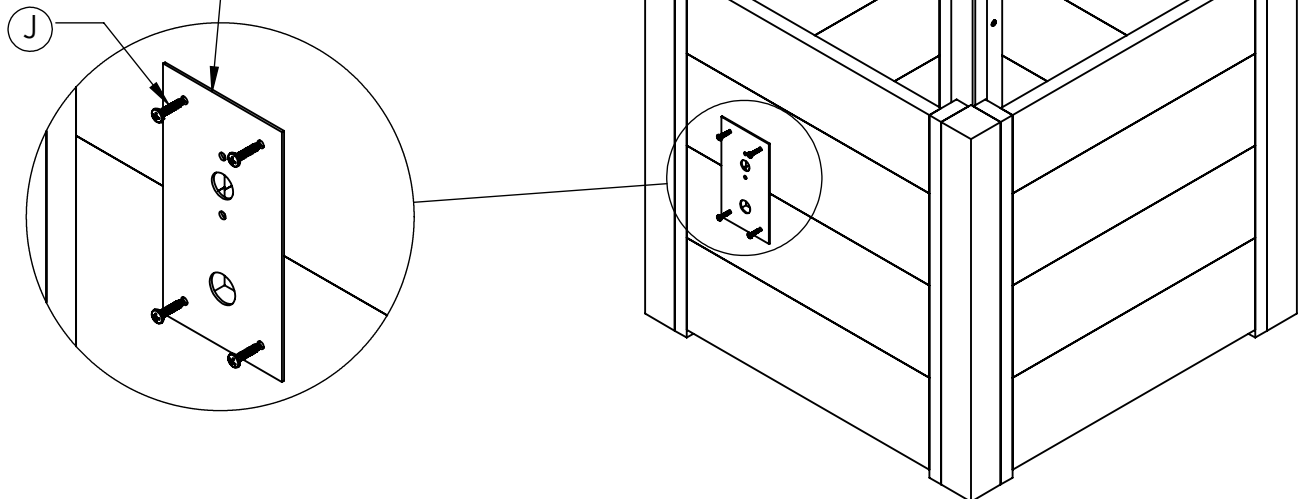


4

ⓙ X 4

CONTROL PANEL X 1

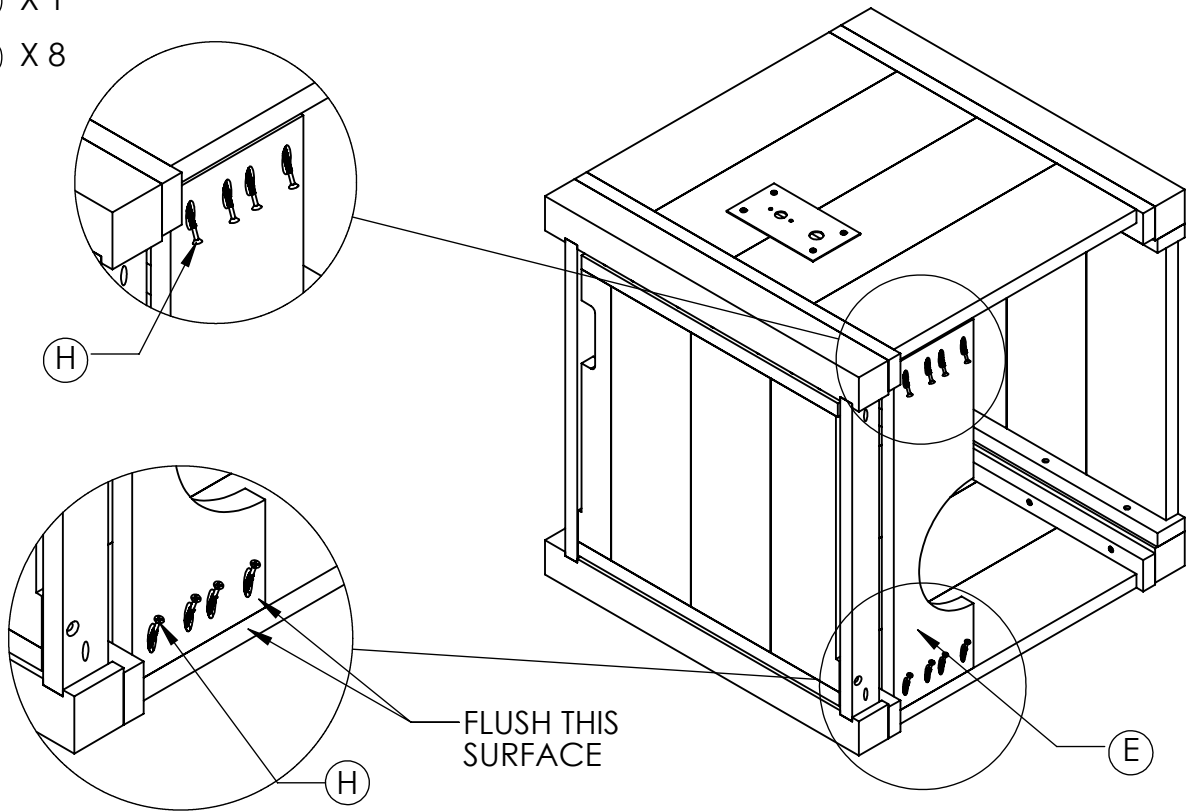
CONTROL PANEL
(INSIDE CRYSTAL FIRE PLUS
BURNER PACKAGING)



5

(E) X 1

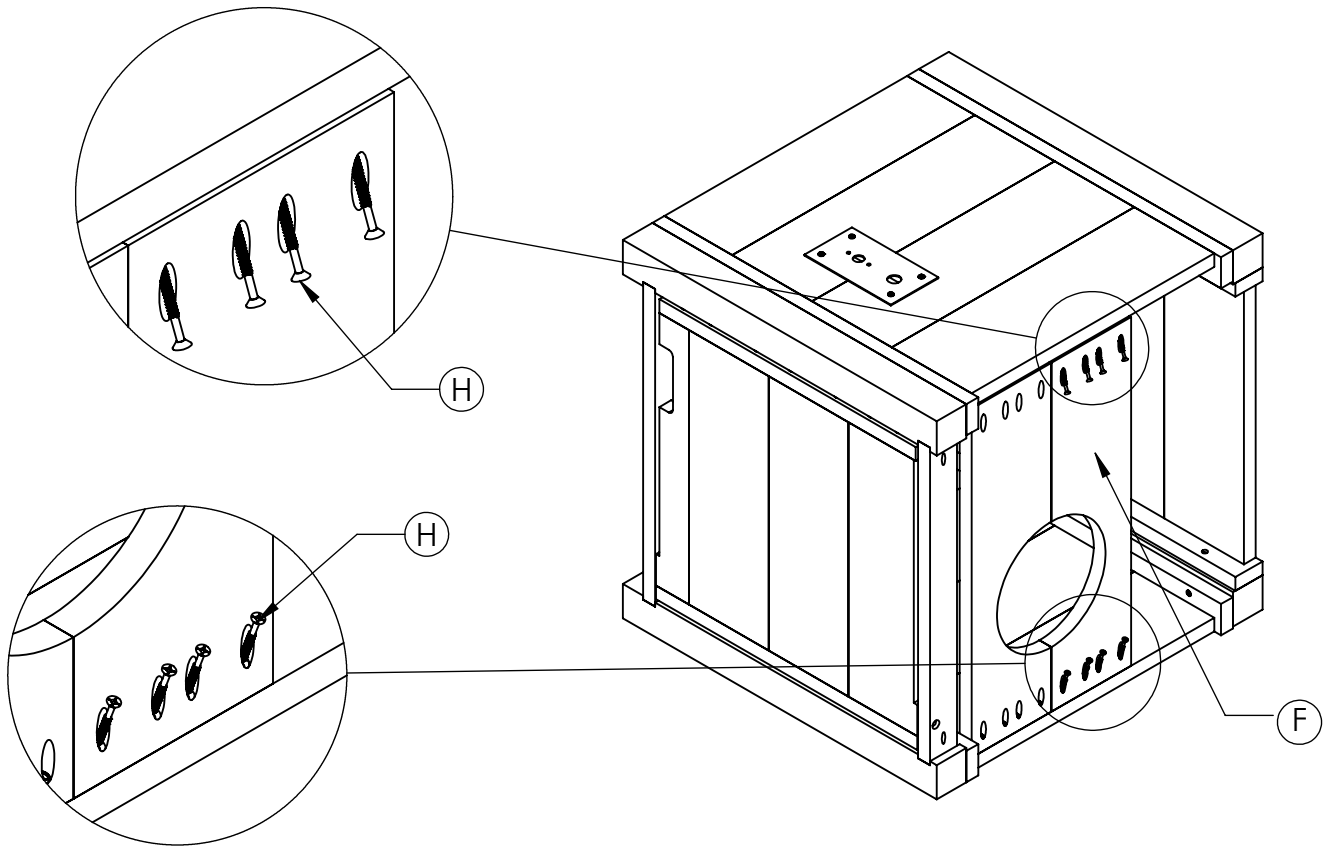
(H) X 8



6

(F) X 1

(H) X 8



7

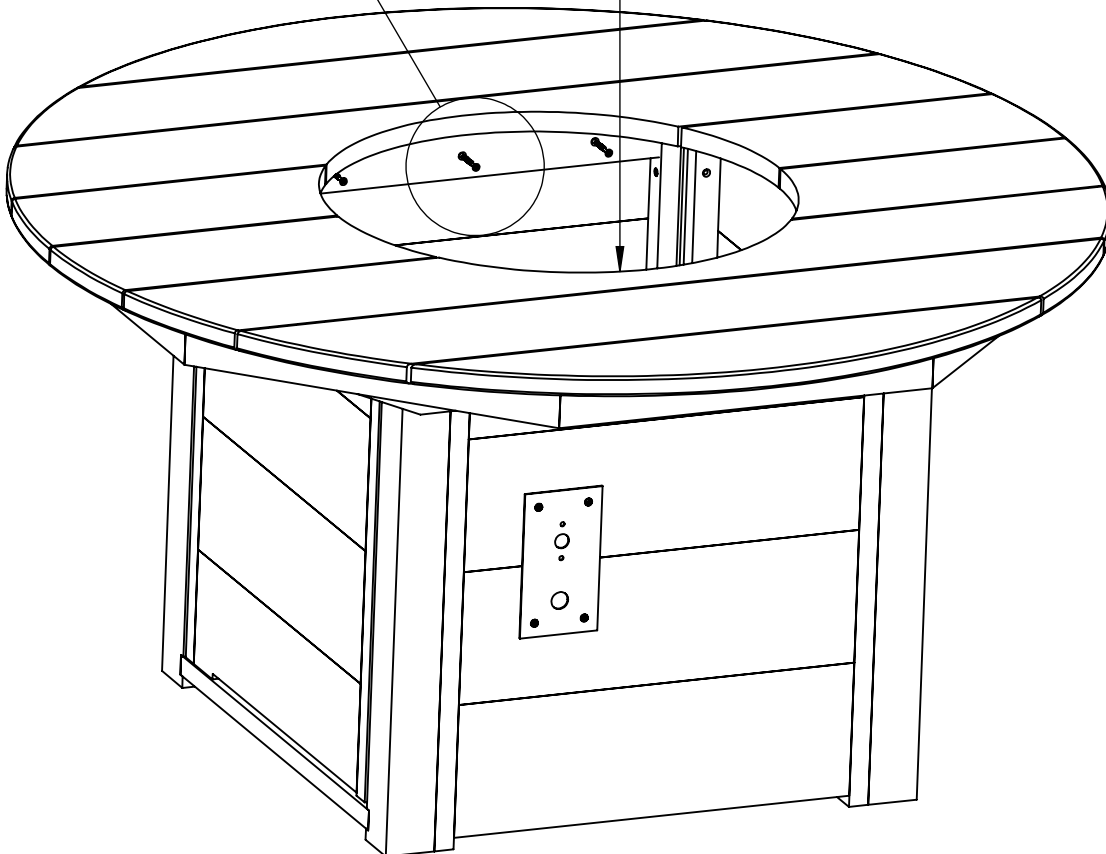
FTT02 X 1

(H) X 6

FTT02

(H)

(H) X 3 HIDDEN SCREW
THIS SIDE

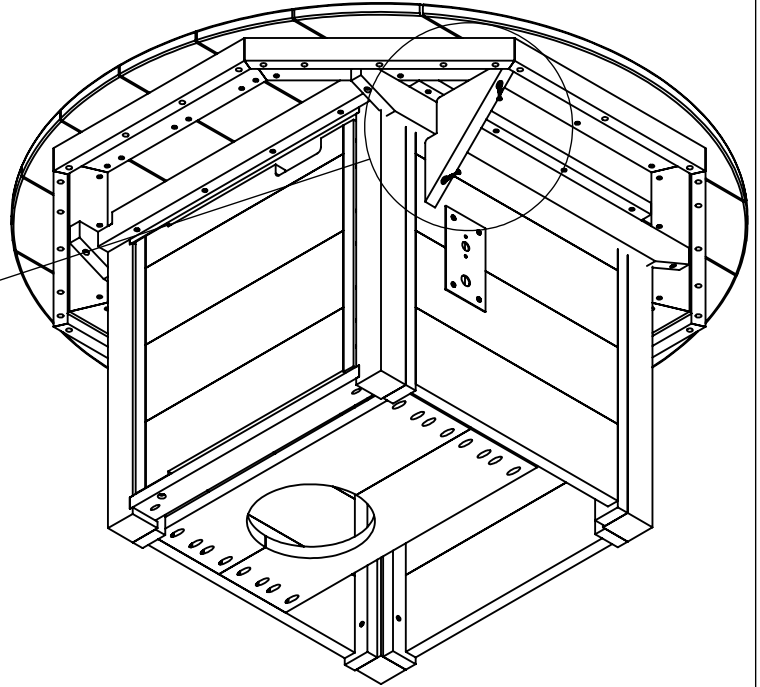
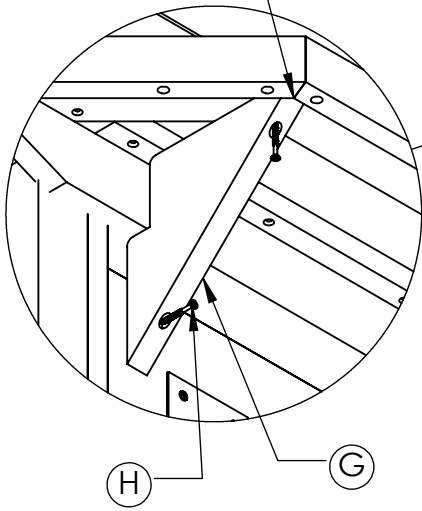


8

ⓐ X 1

ⓓ X 2

FLUSH ⓐ TO THIS POINT



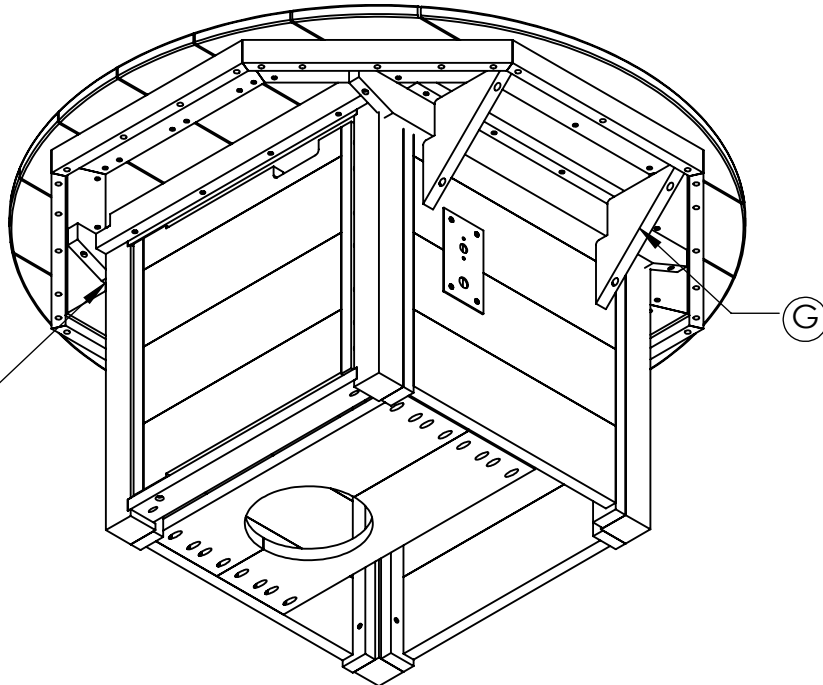
9

ⓐ X 3

ⓓ X 6

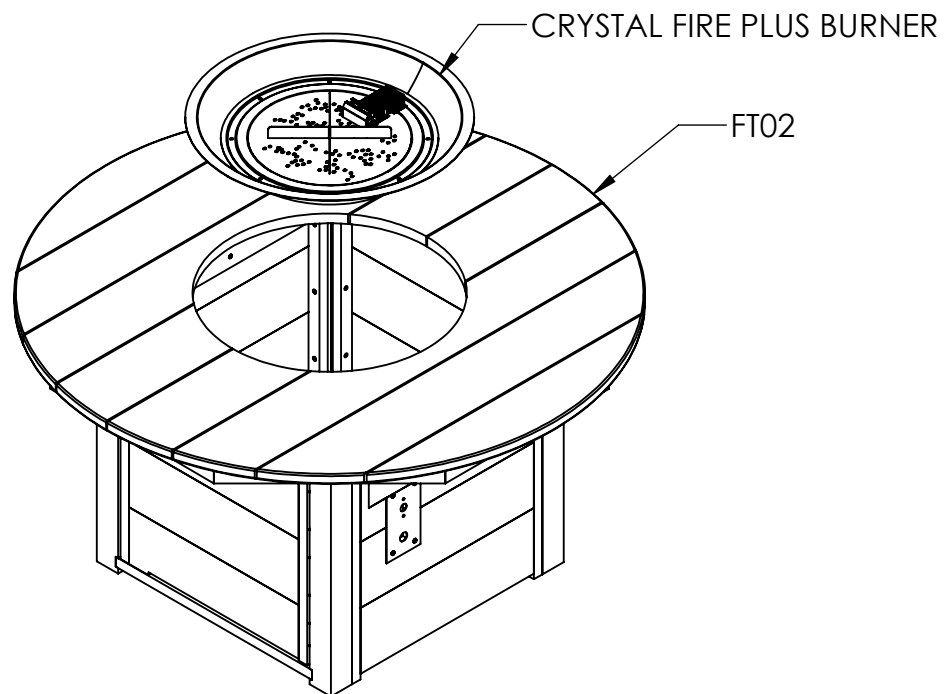
NOTE: REPEAT STEP #8 TO ASSEMBLE OTHER ⓐ.

ⓐ X 2 THIS SIDE



10

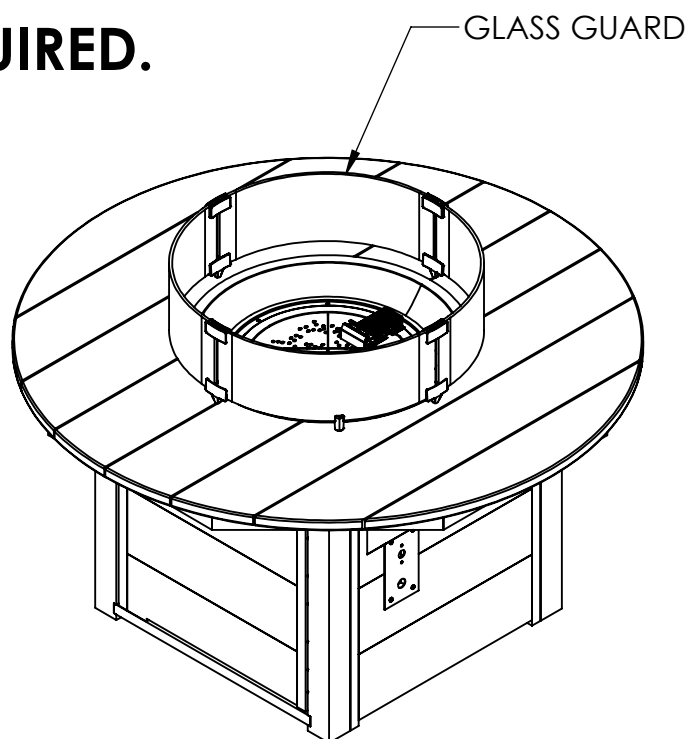
NOTE: SEE CRYSTAL FILE PLUS MANUAL FOR BURNER ASSEMBLY AND INSTALLATION.



11

NOTE: SEE GLASS GUARD ASSEMBLY INSTRUCTION.

**IMPORTANT:
GLASS GUARD REQUIRED.**



12

NOTE: SEE CRYSTAL FILE BURNER QUICK START GUIDE WITH PROPANE CYLINDER OR NATURAL GAS CONVERSION.

