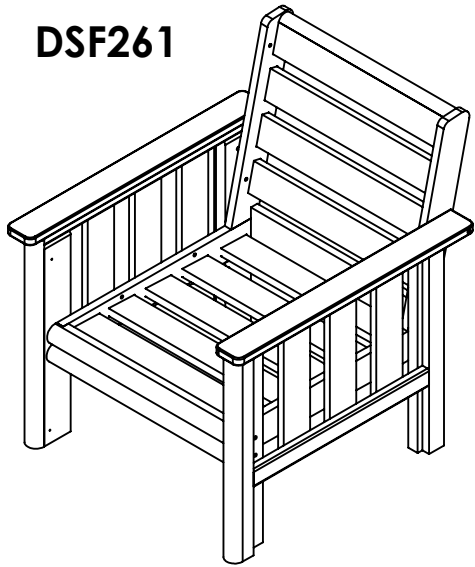


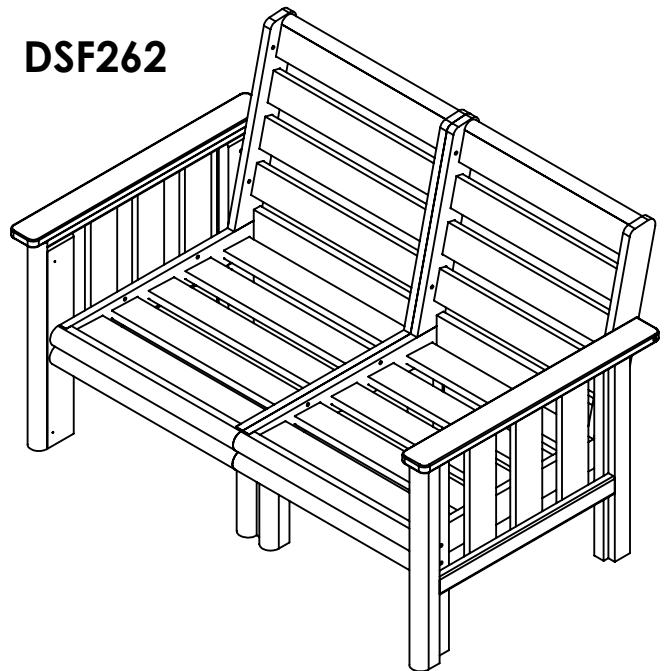
C.R. PLASTIC PRODUCTS

we create sustainable outdoor living
STRATFORD DEEP SEATING

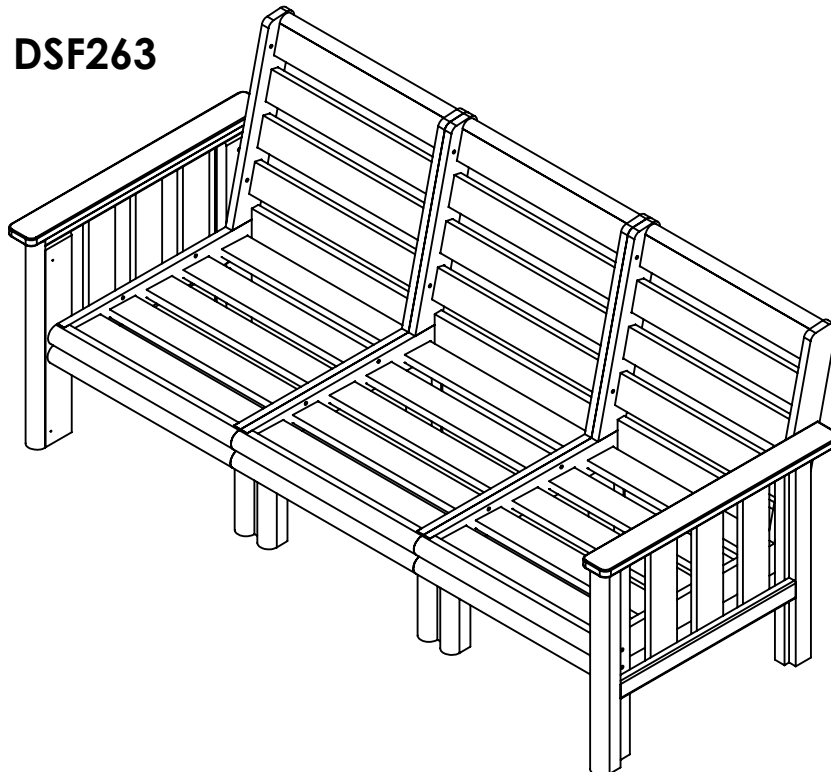
DSF261



DSF262



DSF263



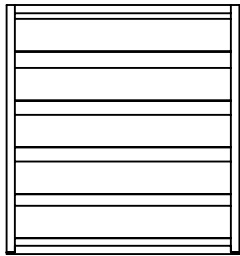
we create sustainable outdoor living

DSF 261

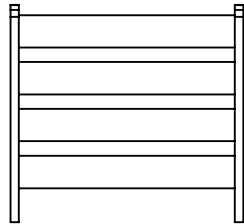
DSF 265

(expansion kit for DSF262 & DSF263)

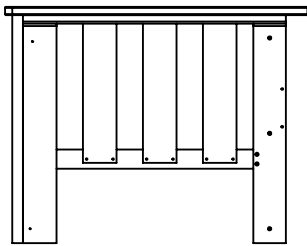
Ⓐ x1



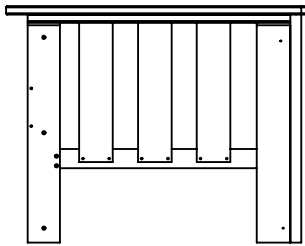
Ⓑ x1



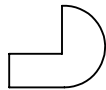
Ⓒ x1



Ⓓ x1



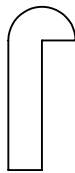
Ⓘ x1



⓵ x1



Ⓚ x1



1 1/2" (38mm) SCREW



Ⓖ x13

2" (51mm) SCREW



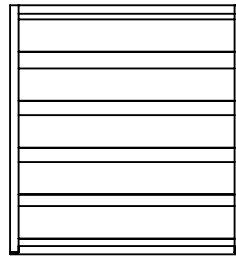
Ⓜ x8

2 1/2" (64mm) SCREW

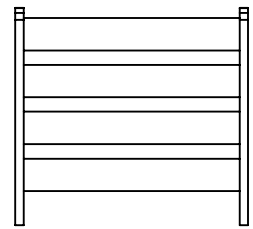


ⓓ x2

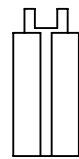
Ⓐ x1



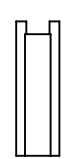
Ⓑ x1



Ⓔ x1



Ⓕ x1

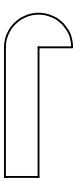


Ⓘ x1

⓵ x1



Ⓚ x1



Ⓛ x2

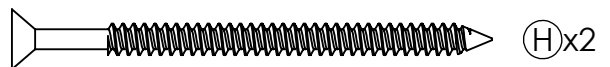


1 1/2" (38mm) SCREW



Ⓖ x31

2 1/2" (64mm) SCREW



ⓓ x2



#2



PLEASE USE 6" DRIVER BITS



1-866-439-9521



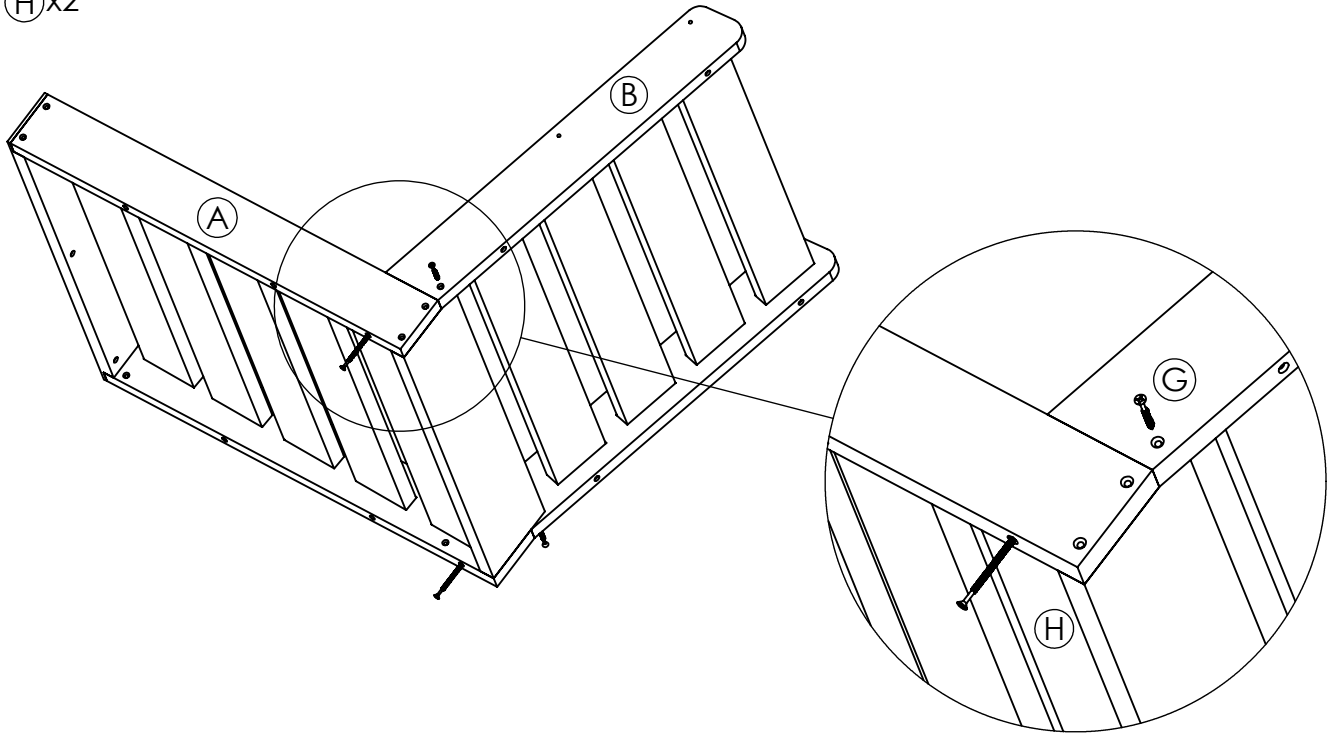
wecare@crplastics.com



www.crpproducts.com

1

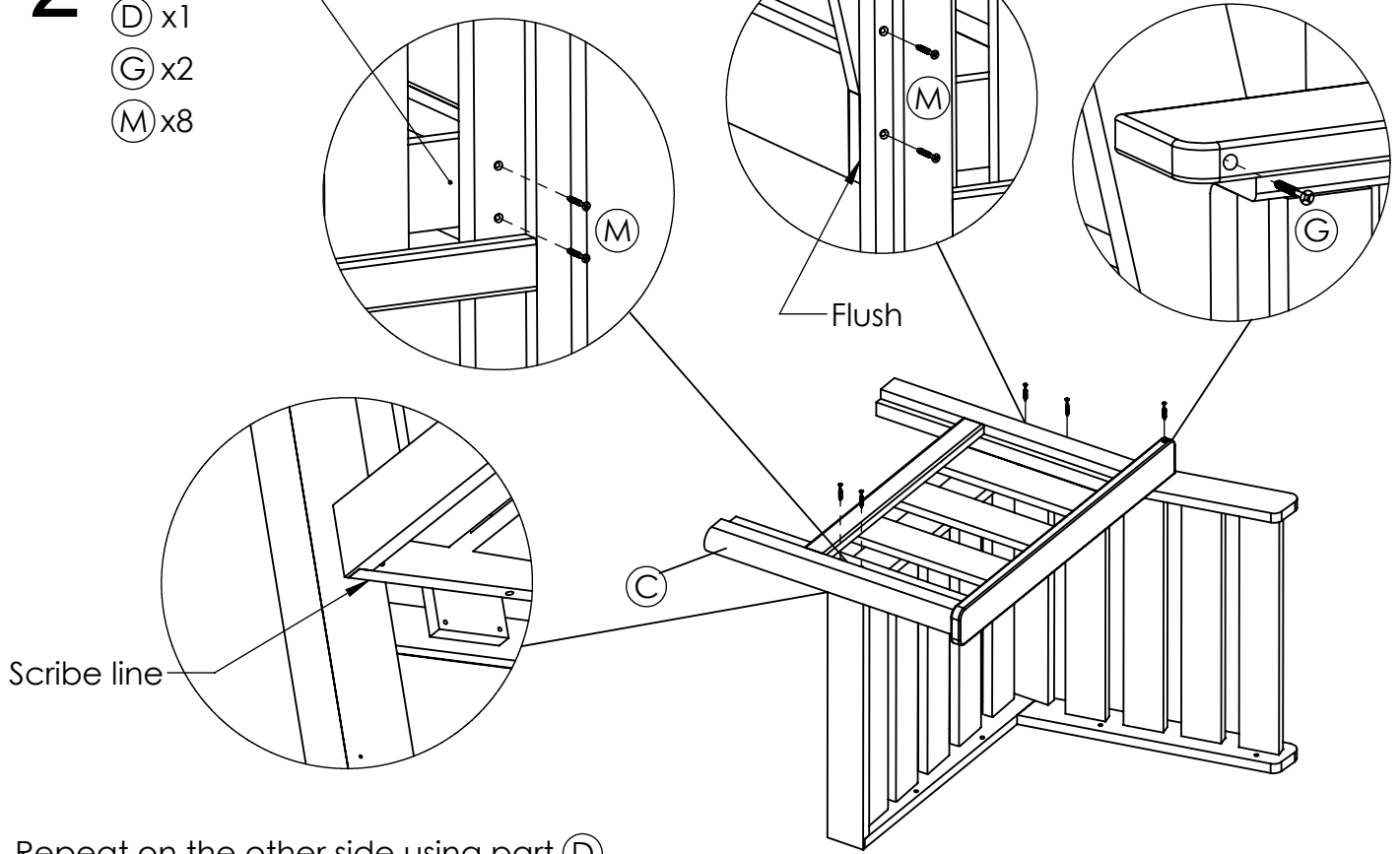
- Ⓐ x1
- Ⓑ x1
- Ⓒ x2
- Ⓓ x2



2

- Ⓒ x1
- Ⓓ x1
- Ⓒ x2
- Ⓜ x8

Holes centered with the seat rail

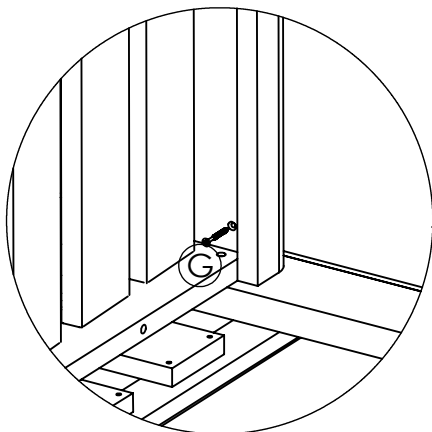
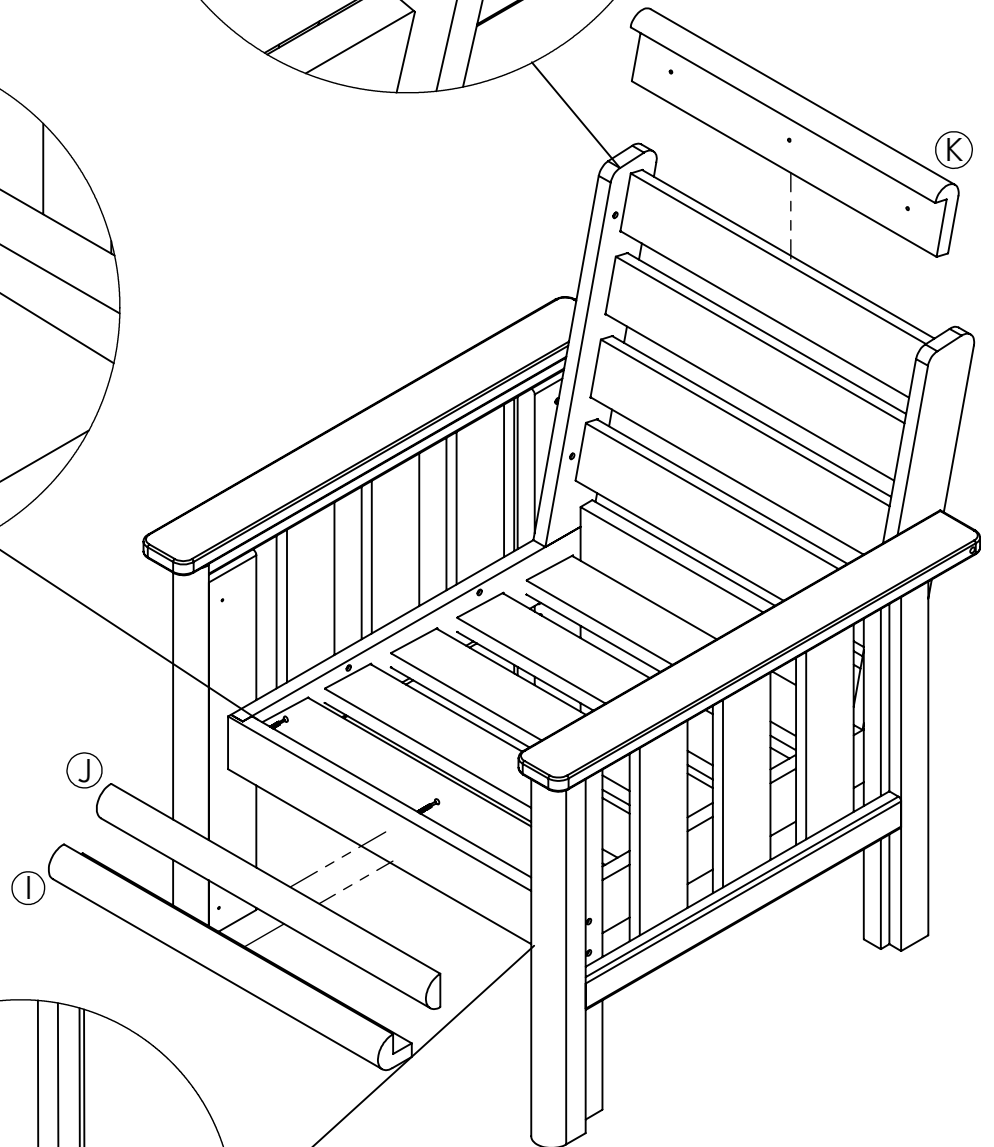
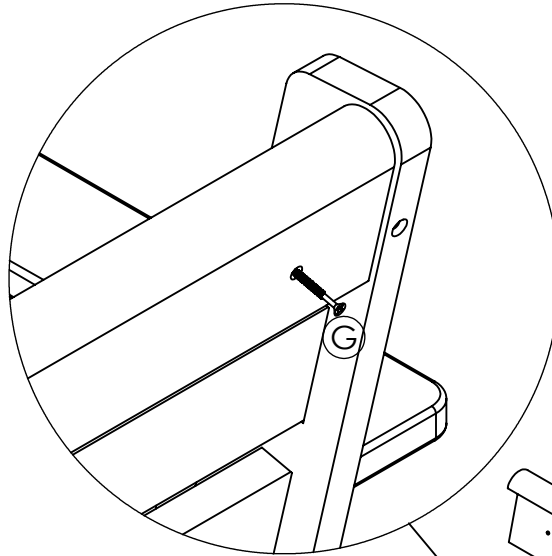
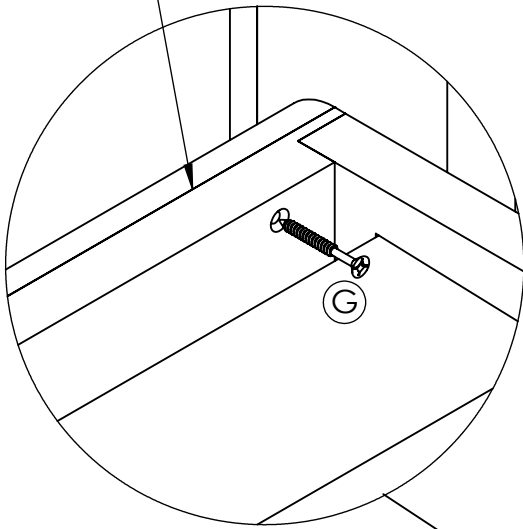


Repeat on the other side using part Ⓓ

3

- Ⓛ x1
- Ⓧ x1
- Ⓚ x1
- ⓖ x9

Flush



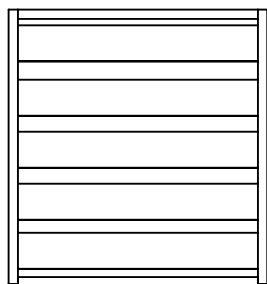


C.R. PLASTIC PRODUCTS

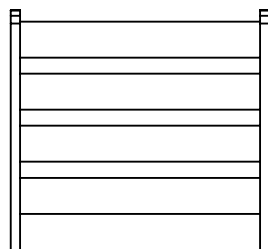


DSF 262 (DSF261 + DSF265)

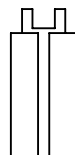
(A) x2



(B) x2



(E) x1



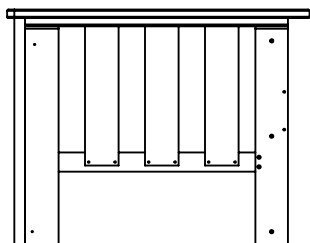
(F) x1



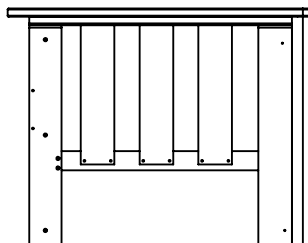
(L) x2



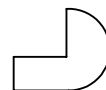
(C) x1



(D) x1



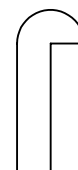
(I) x2



(J) x2



(K) x2

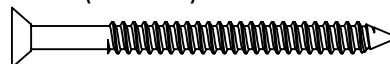


1 1/2" (38mm) SCREW



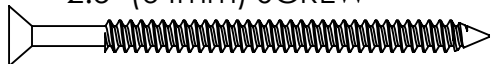
(G) x44

2" (51mm) SCREW



(M) x8

2.5" (64mm) SCREW



(H) x4



#2



PLEASE USE 6" DRIVER BITS



800.490.1283



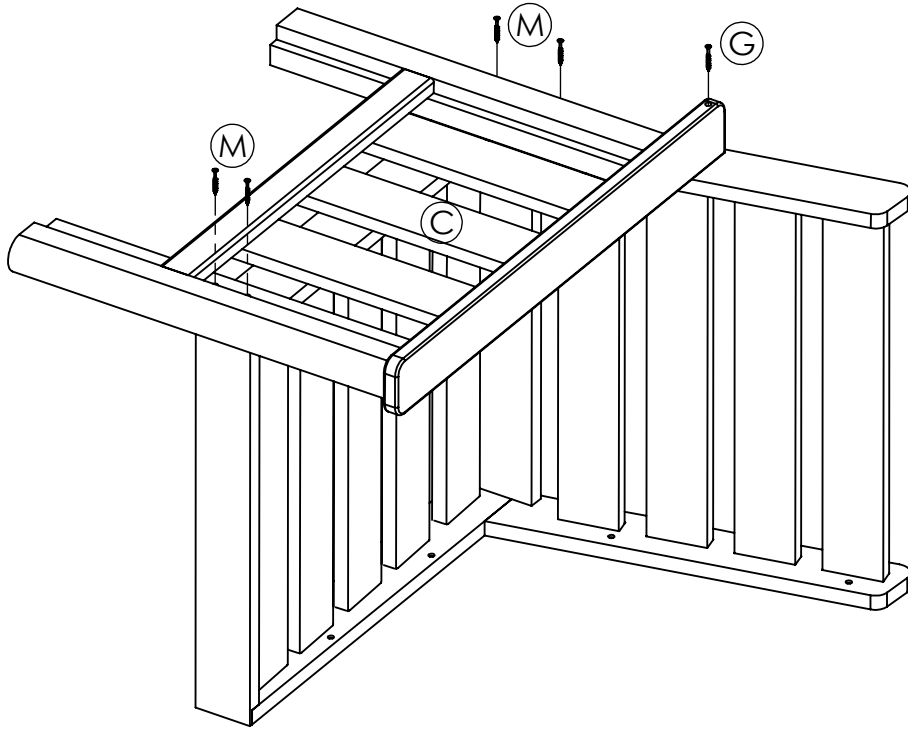
crpproducts.com

FAX 519.271.8544

1

- ⓐx1
- ⓐx1
- Ⓜx4

Follow previous steps 1 and 2 to build seat, back and one arm

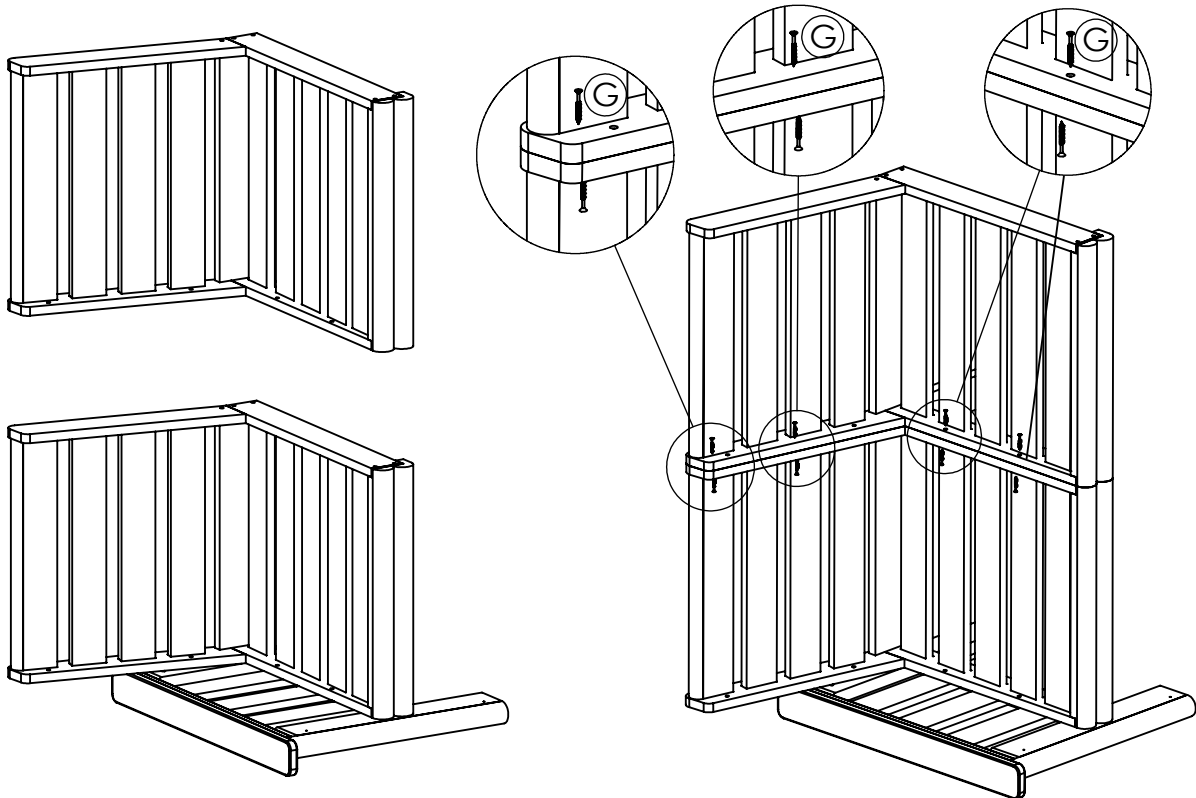


2

- ⓐx8



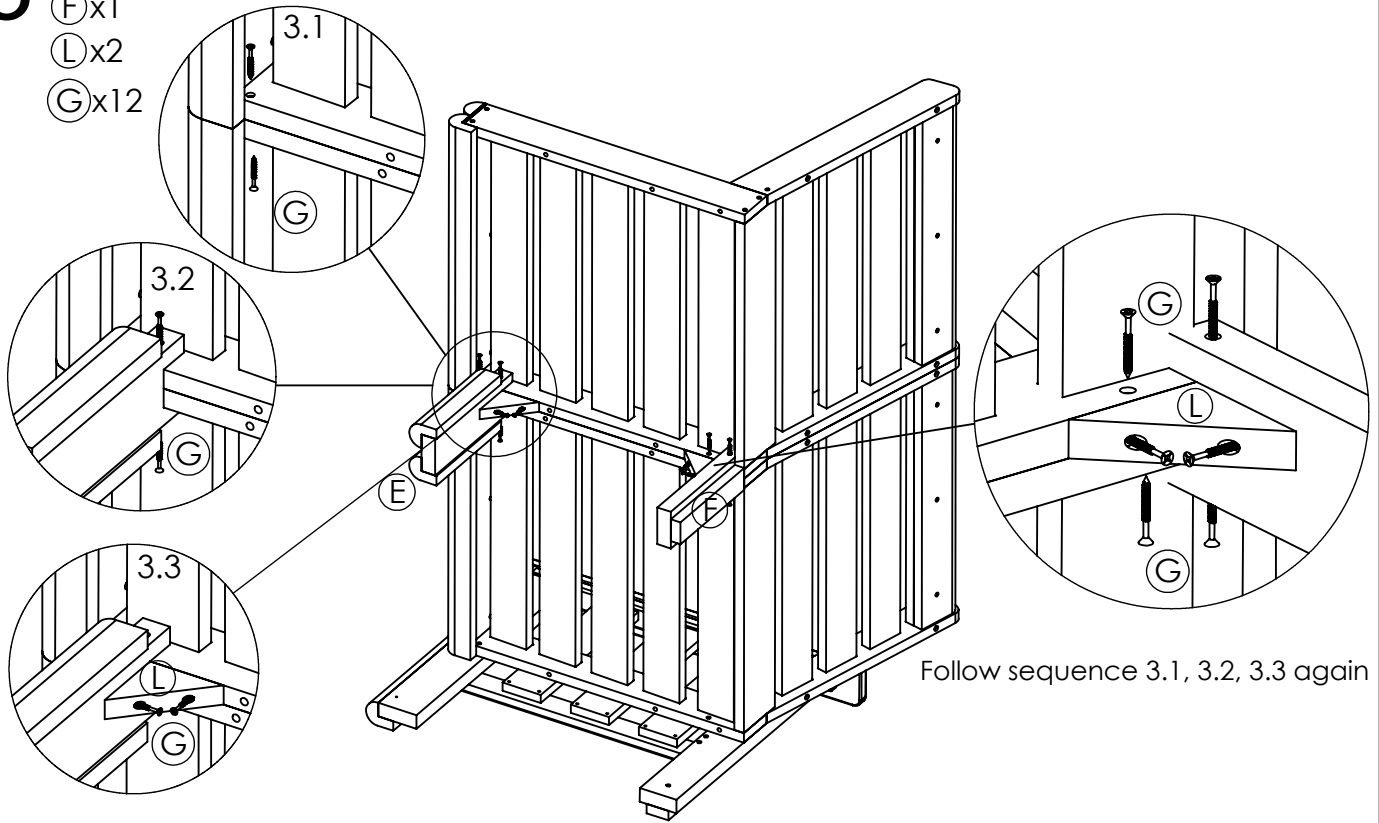
DO NOT ASSEMBLE HORIZONTALLY AND FLIP



Follow step 3 on page 4 to attach parts ⓐ, ⓑ and ⓓ after attaching seats

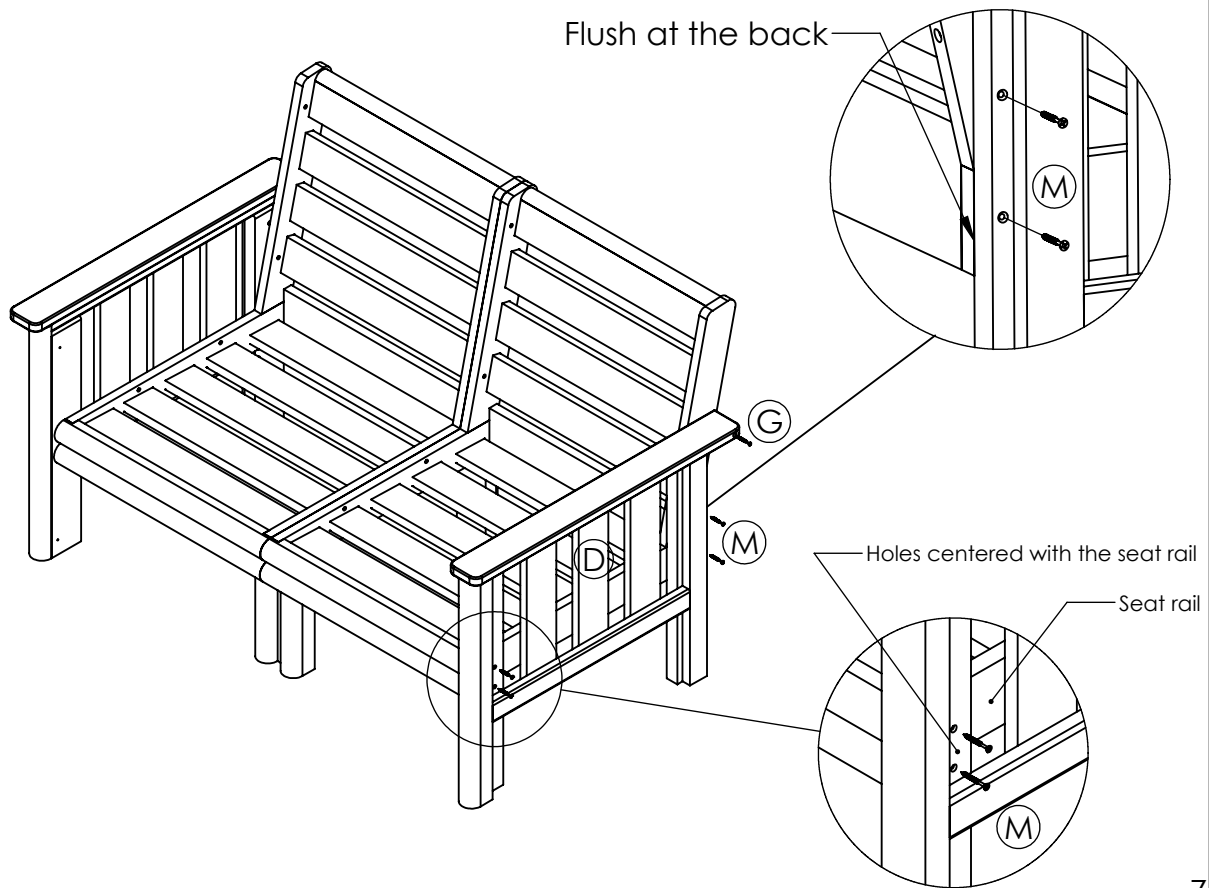
3

- Ⓔ x1
- Ⓕ x1
- Ⓖ x2
- Ⓖ x12



4

- Ⓓ x1
- Ⓖ x1
- Ⓜ x4



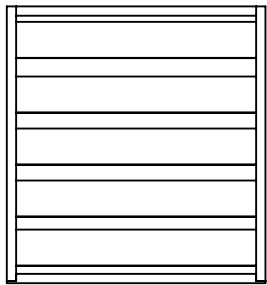


C.R. PLASTIC PRODUCTS

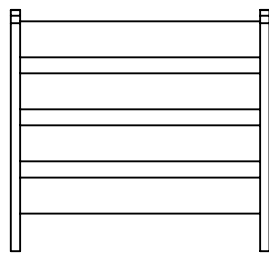


DSF263 (DSF261 + 2x DSF265)

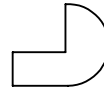
(A) x3



(B) x3



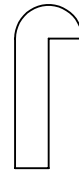
(I) x3



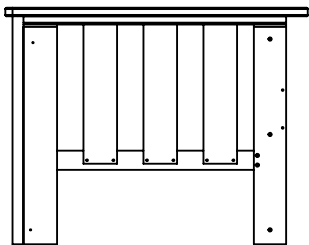
(J) x3



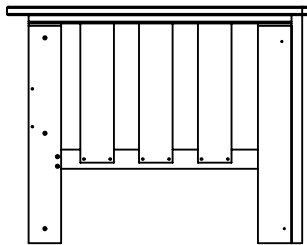
(K) x3



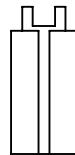
(C) x1



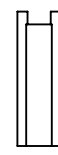
(D) x1



(E) x2



(F) x2



(L) x4



1 1/2" (38mm) SCREW



(G) x75

2" (51mm) SCREW



(M) x8

2 1/2" (64.5mm) SCREW



(H) x6



#2



PLEASE USE 6" DRIVER BITS



800.490.1283

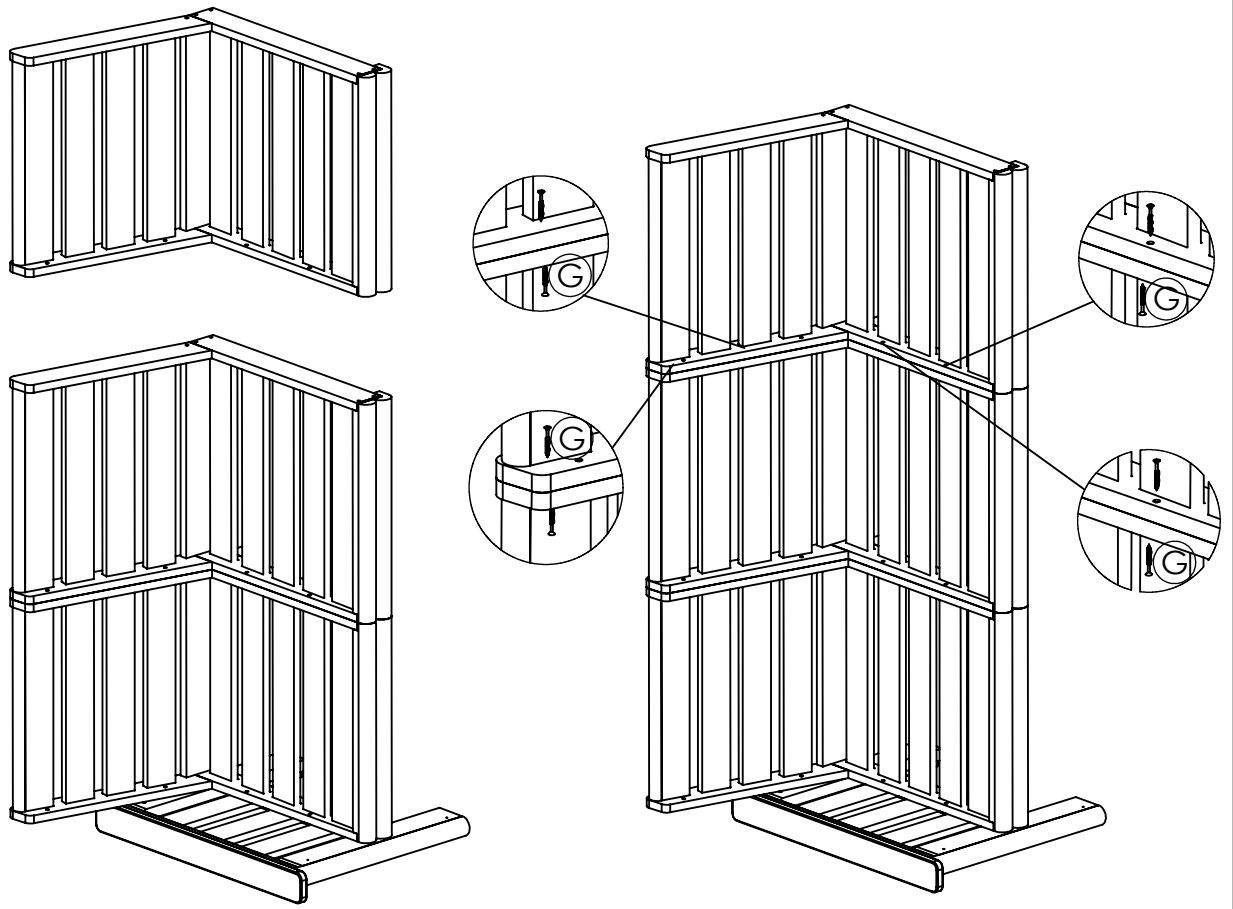


crpproducts.com

FAX 519.271.8544

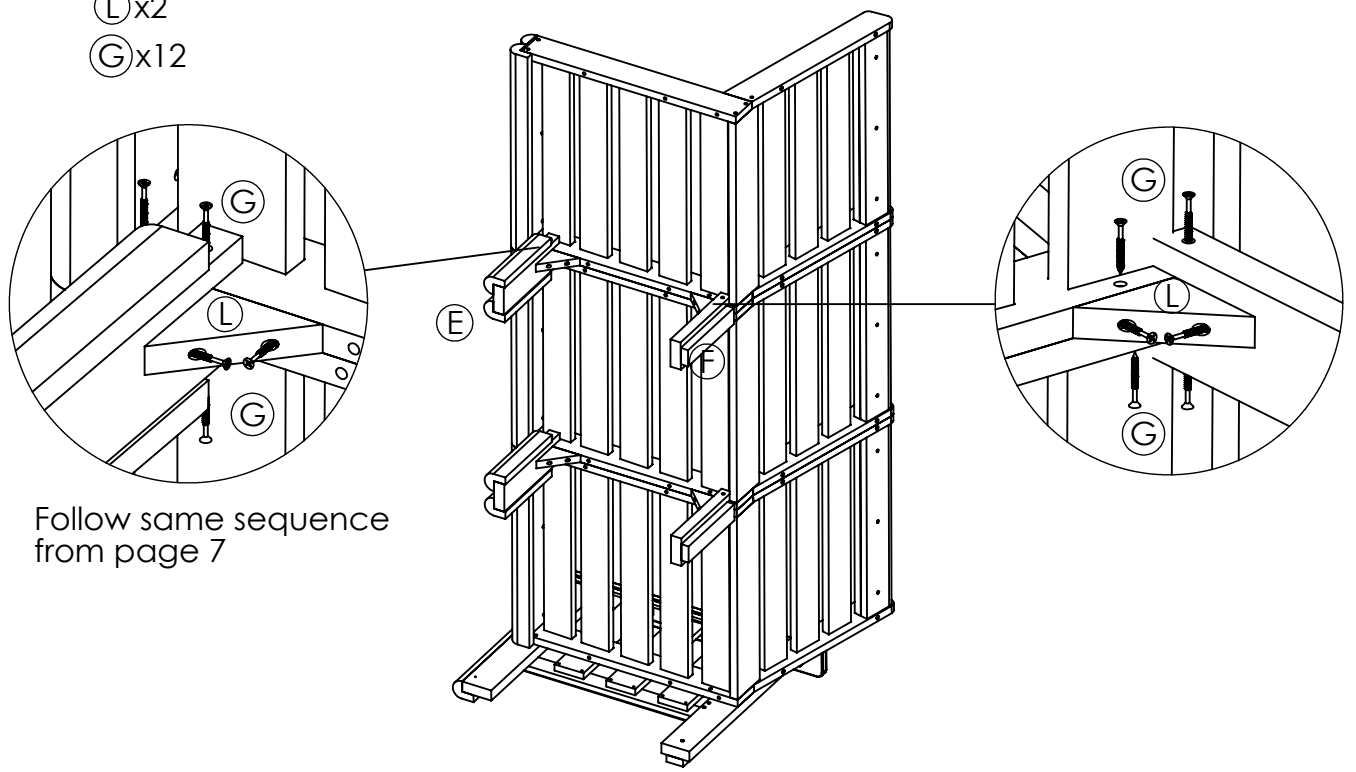
1 (G)x8

Follow previous steps 1, 2 and 3 (page 6 and 7)



2 (E)x1
(F)x1
(L)x2
(G)x12

 DO NOT ASSEMBLE HORIZONTALLY AND FLIP



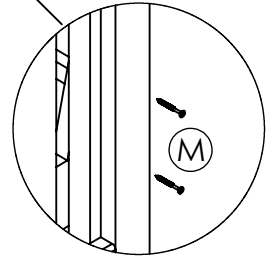
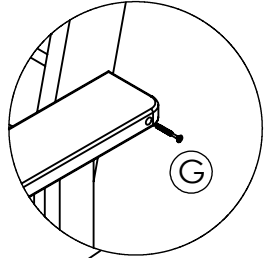
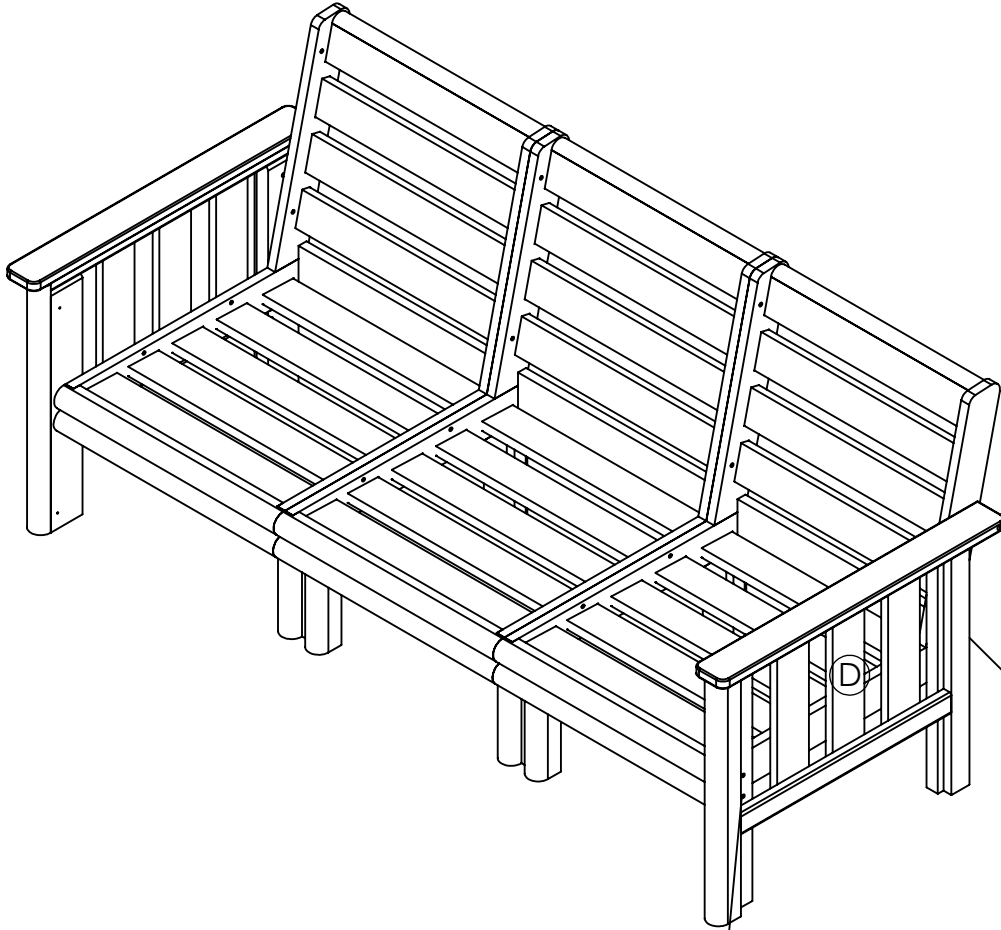
Follow same sequence from page 7

3

ⓓ x1

ⓖ x1

Ⓜ x4



Holes centered with the seat rail

Seat rail

