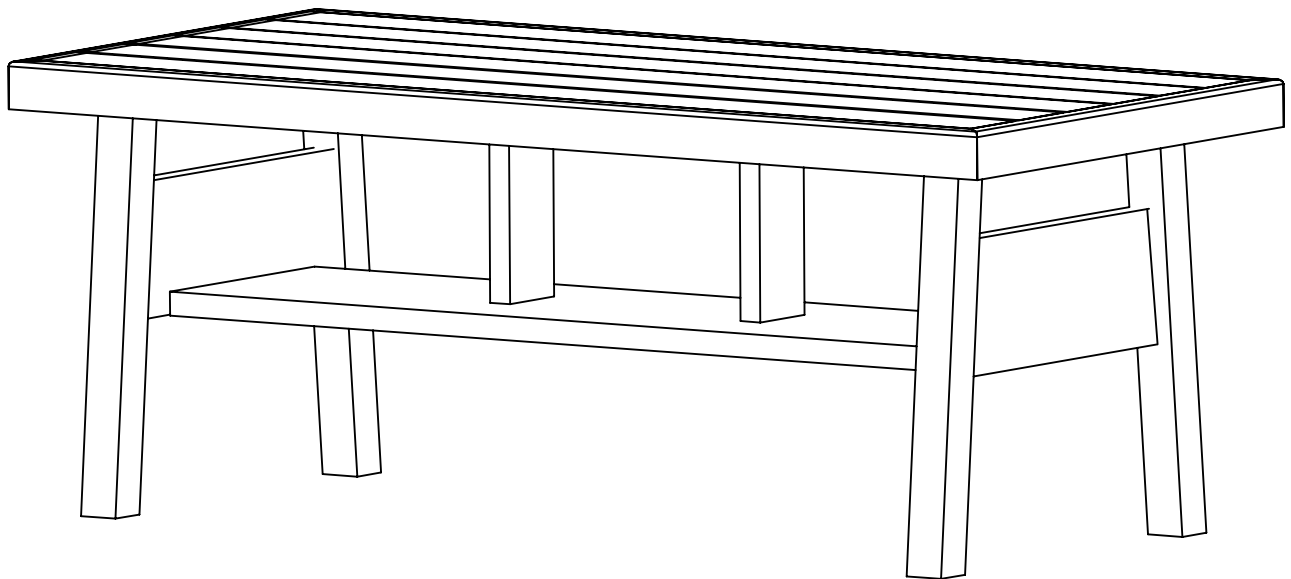


 C.R. PLASTIC
PRODUCTS

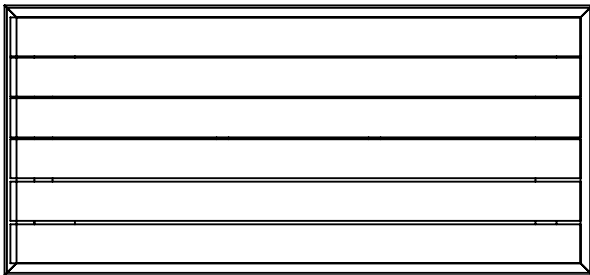
we create sustainable outdoor living

DST287

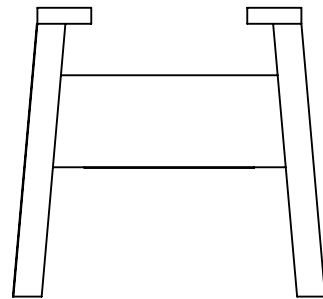


we create sustainable outdoor living

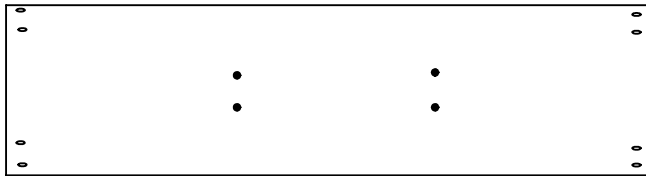
Ⓐ x1



Ⓑ x2



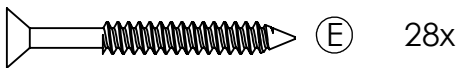
Ⓒ x1



Ⓓ x2



1 1/2" (38mm) Screw



#2



1-866-439-9521



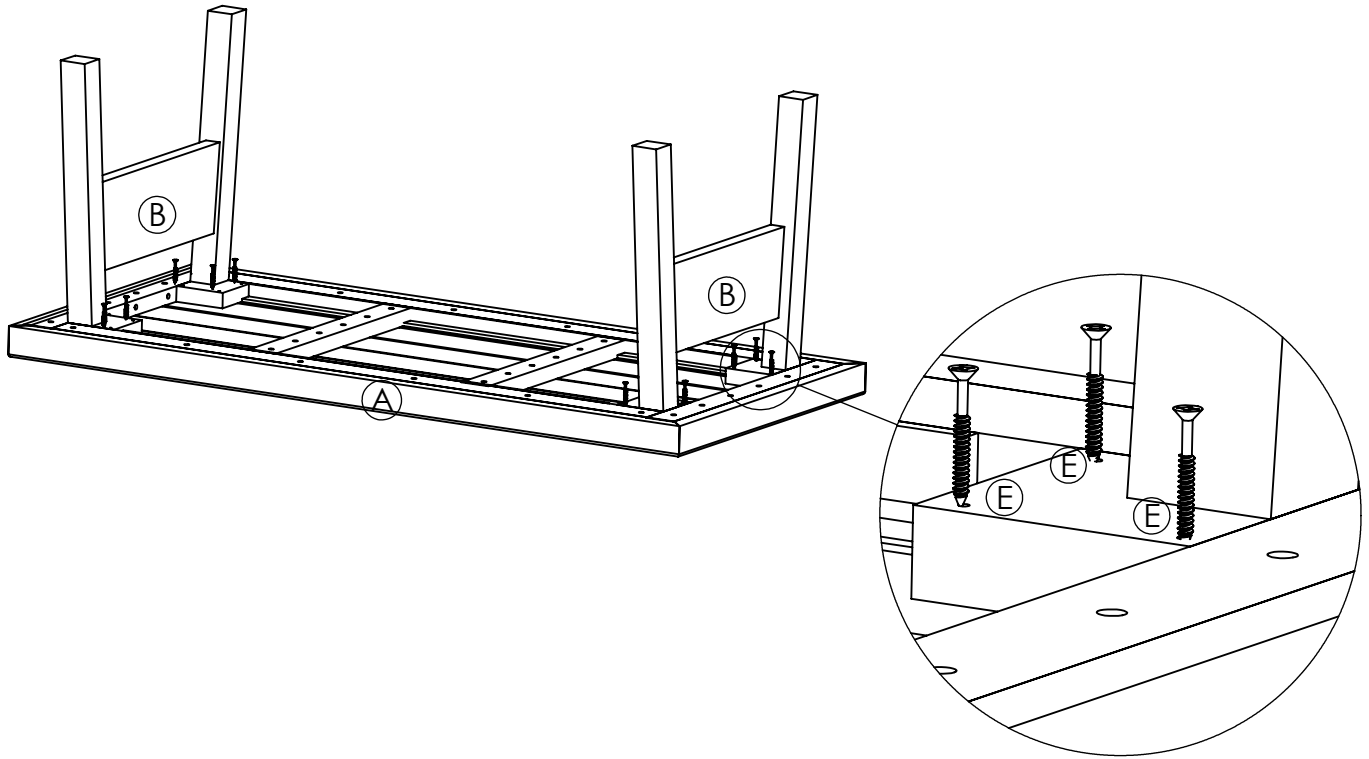
wecare@crplastics.com



www.crpproducts.com

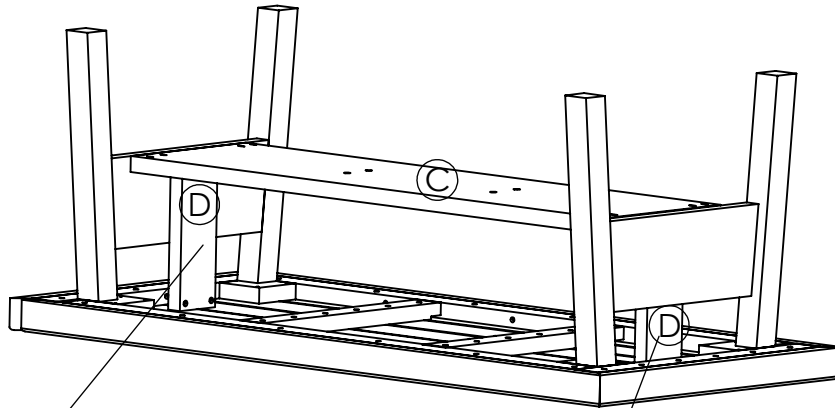
1

- Ⓐ 1x
- Ⓑ 2x
- Ⓔ 12x

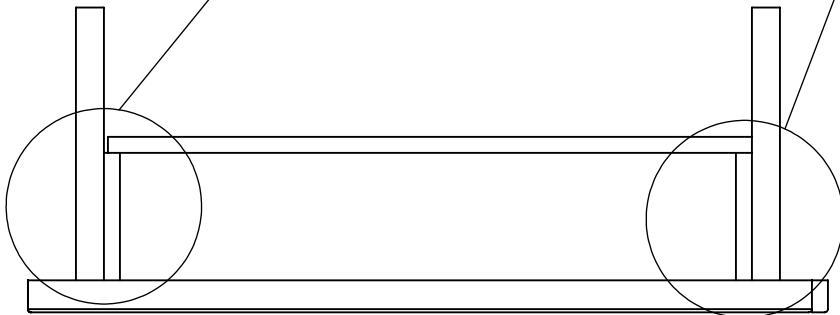


2

- Ⓓ 2x
- Ⓒ 1x



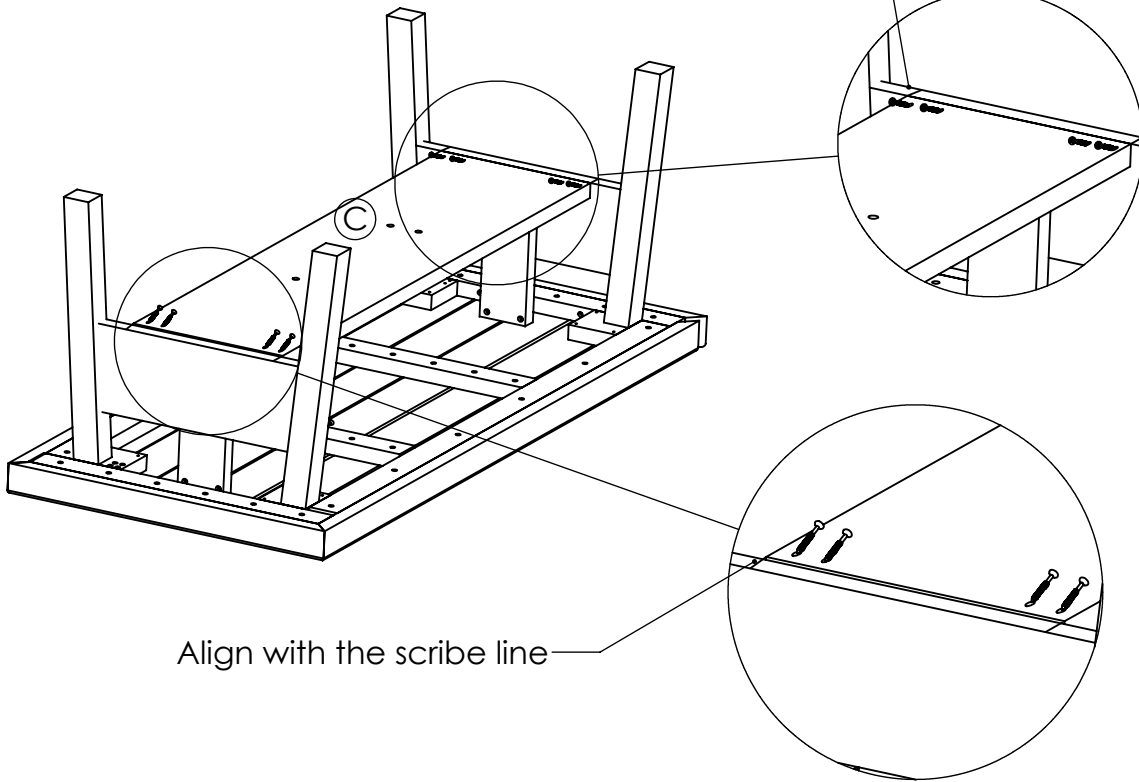
PLACE "D" AGAINST "B" ON BOTH SIDES USING "D" AS A SPACER AND PLACE "C" ON THE TOP OF IT



3

ⓔ 8x

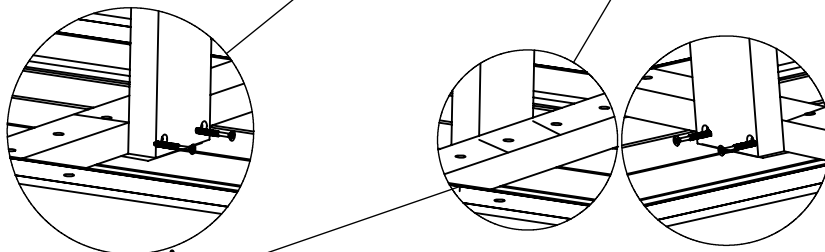
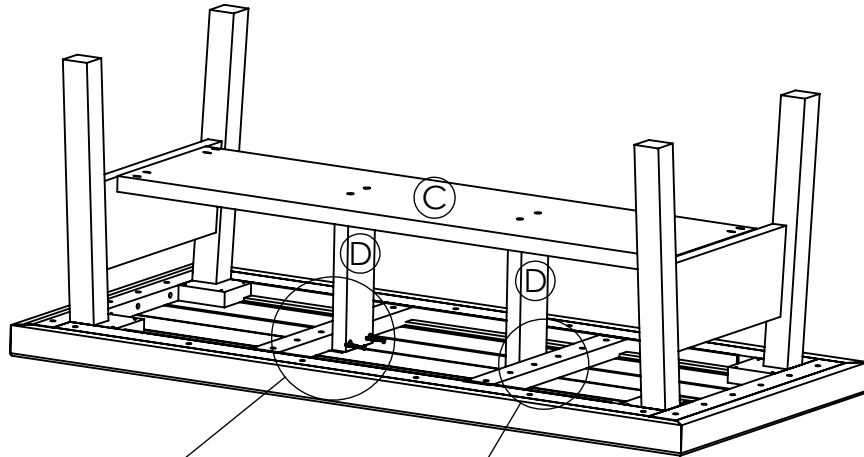
Align with the scribe line



Align with the scribe line

4

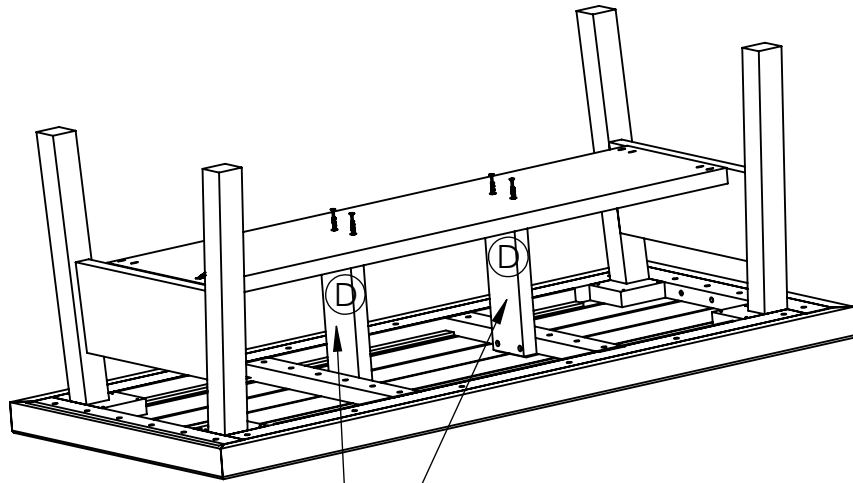
ⓔ 4x



Move "D" and align with the scribe lines then put the screws

5

ⓔ4x



Make sure that D is straight and aligned with the screw holes before tightening down the screws.