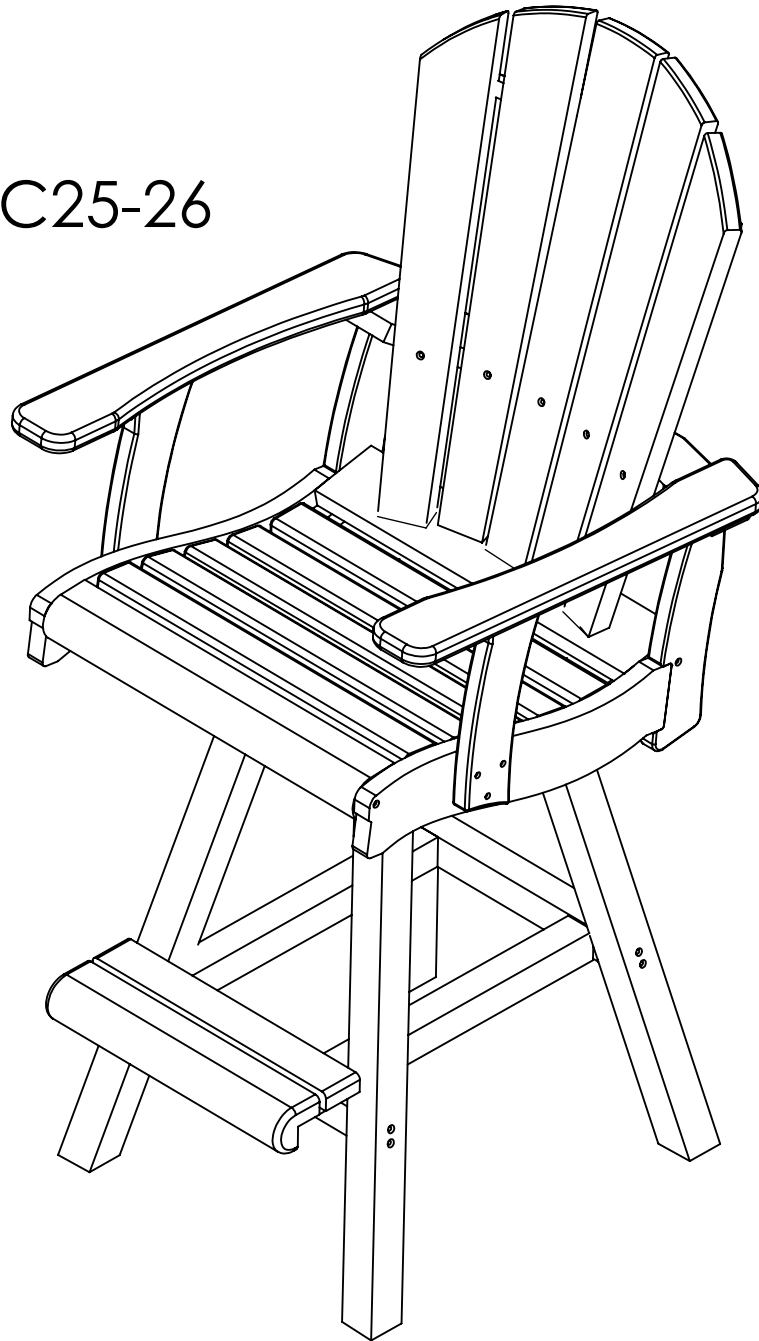


**C.R. PLASTIC
PRODUCTS**

we create sustainable outdoor living

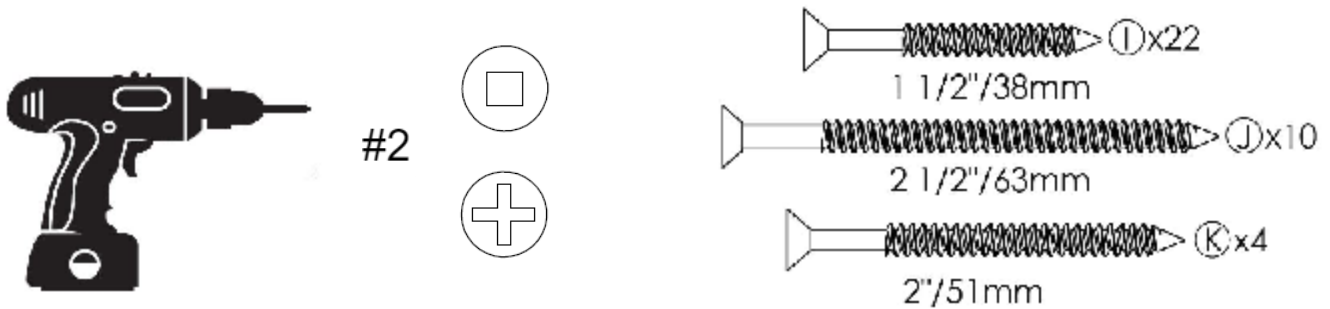
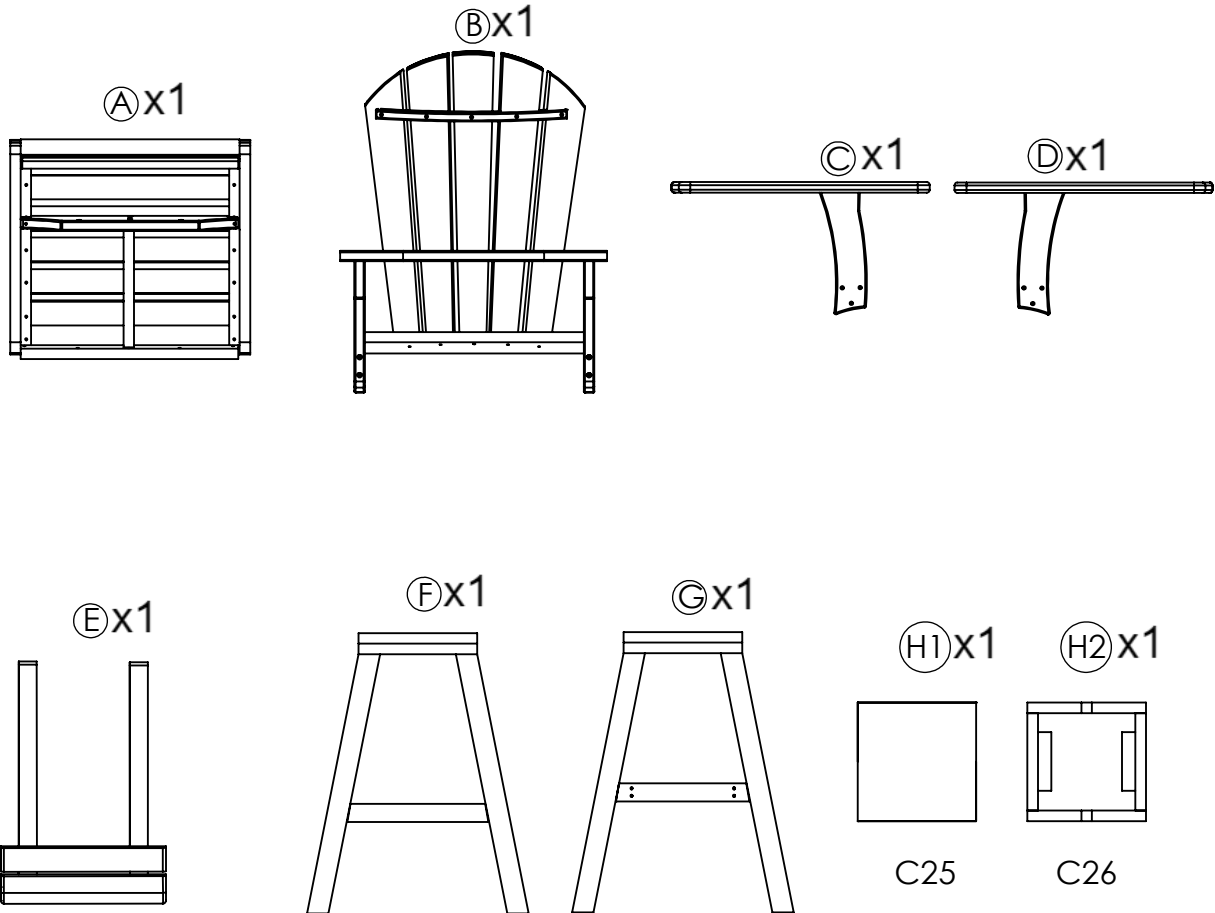
C25-26



C.R. PLASTIC PRODUCTS

C25-26

we create sustainable outdoor living



1-866-439-9521



wecare@crplastics.com

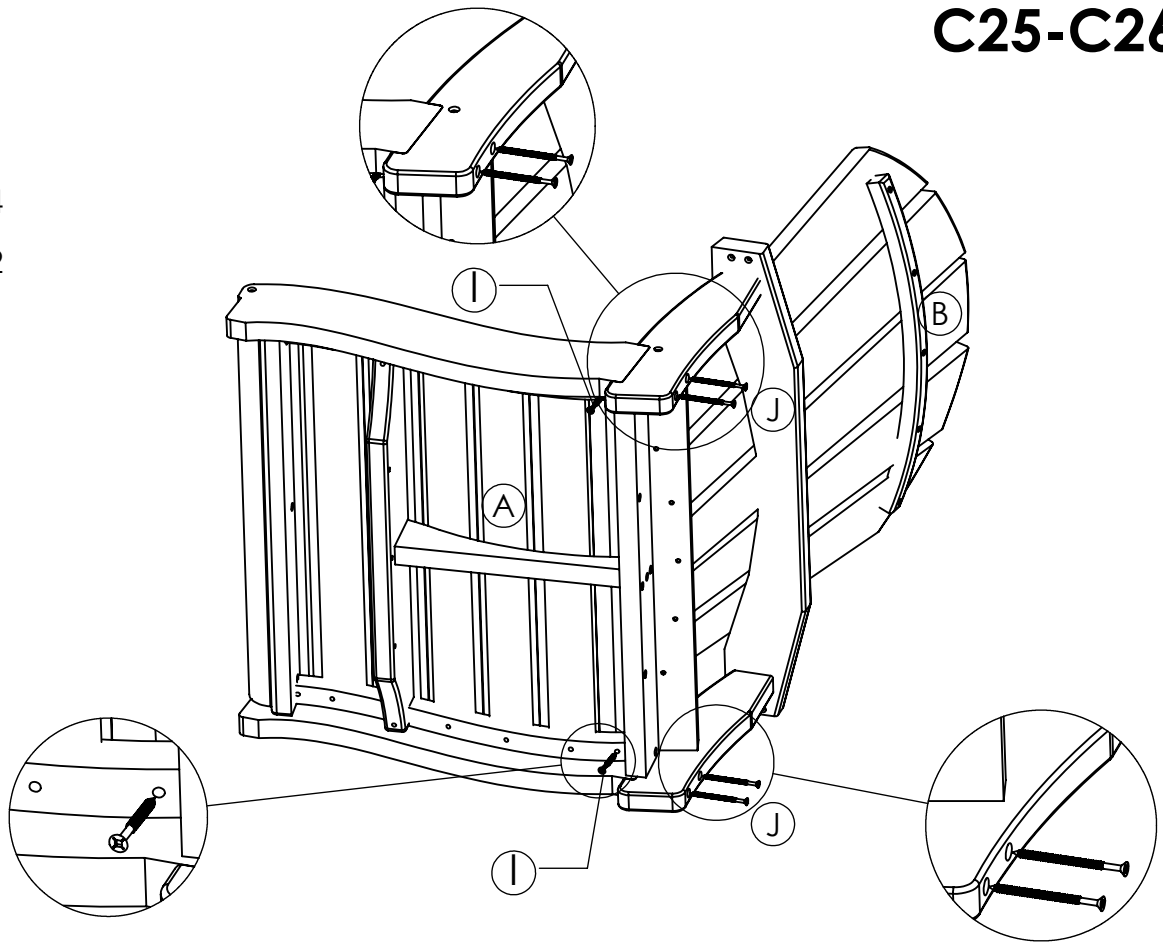


www.crpproducts.com

C25-C26

1

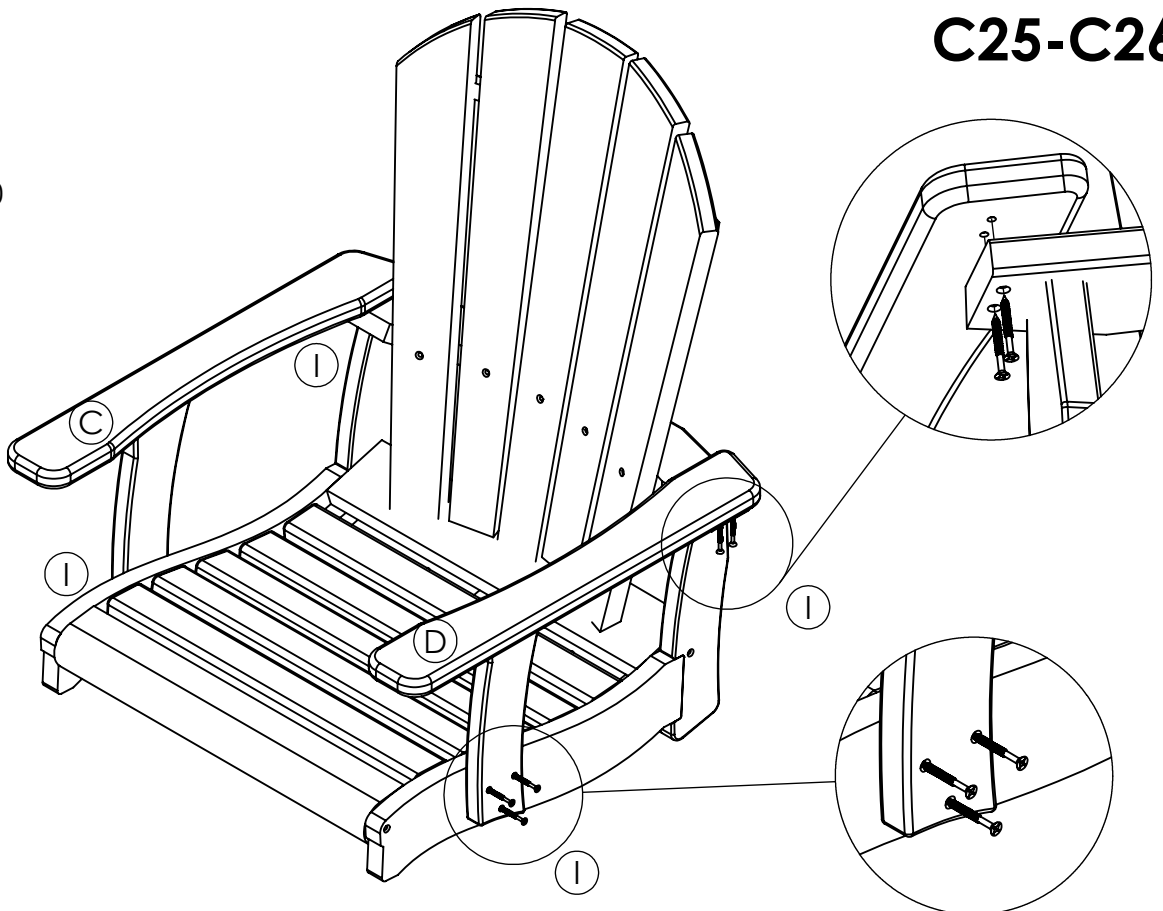
- (A) X1
- (B) X1
- (J) X4
- (I) X2



C25-C26

2

- (C) X1
- (D) X1
- (I) X10

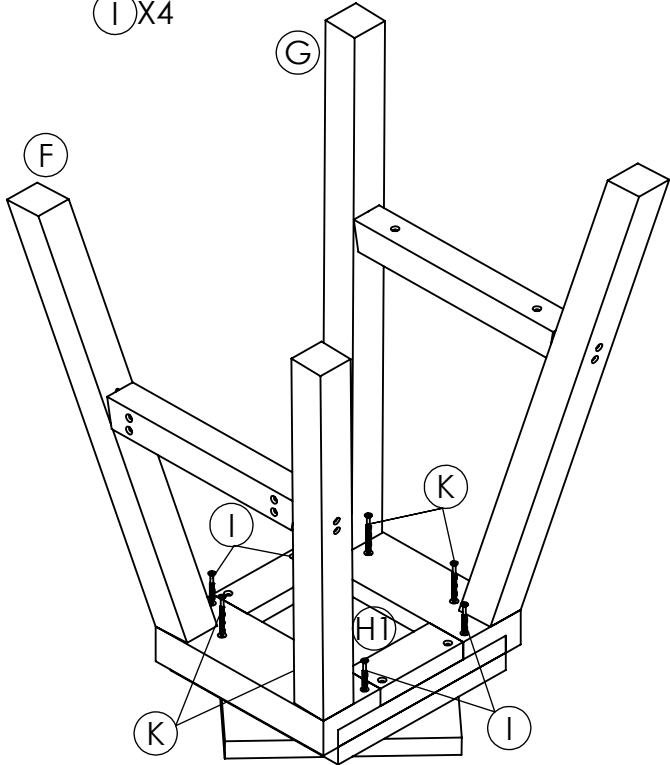


3

- (F) X1
- (G) X1
- (K) X4
- (I) X4

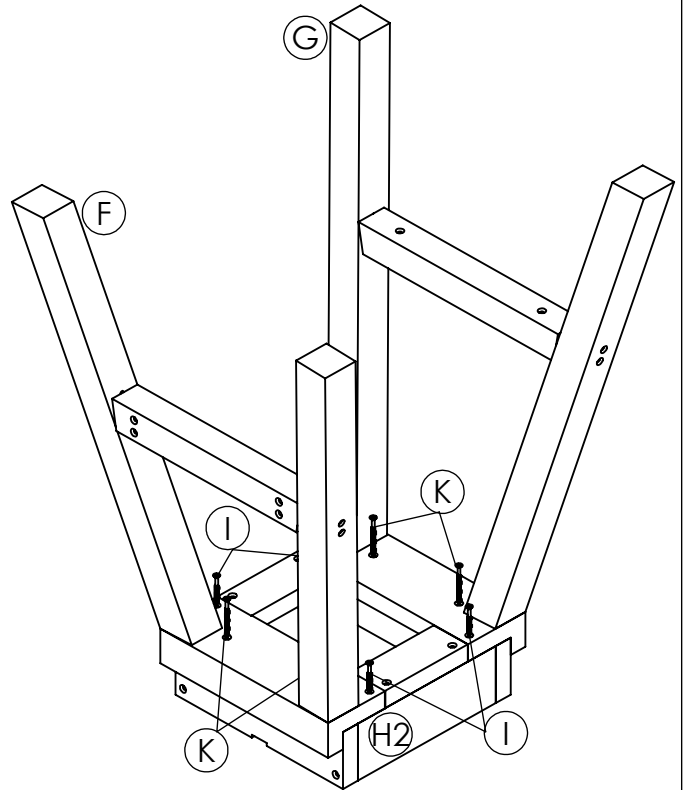
C25

- (H1) X1



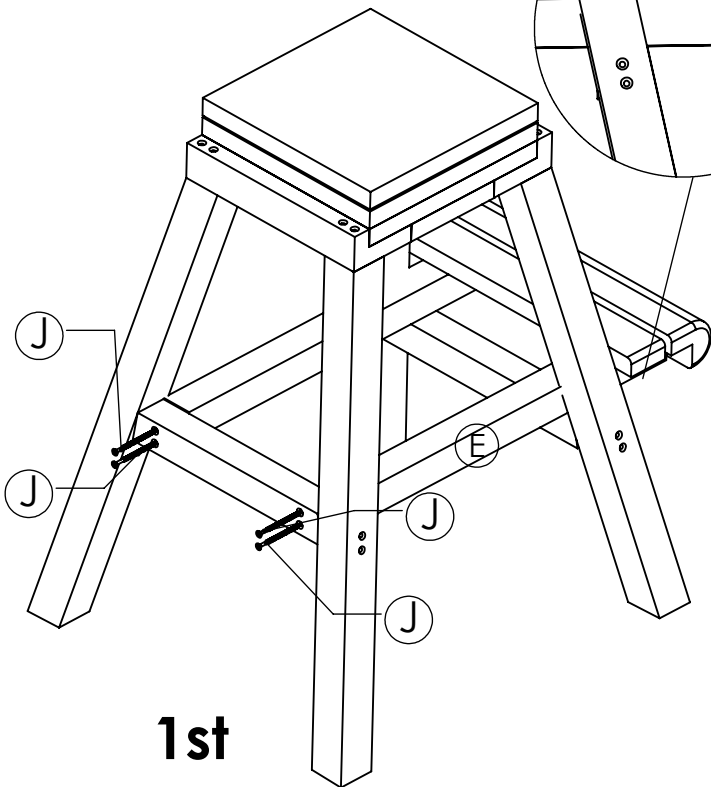
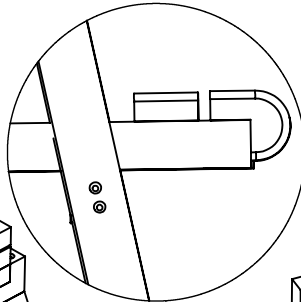
C26

- (H2) X1

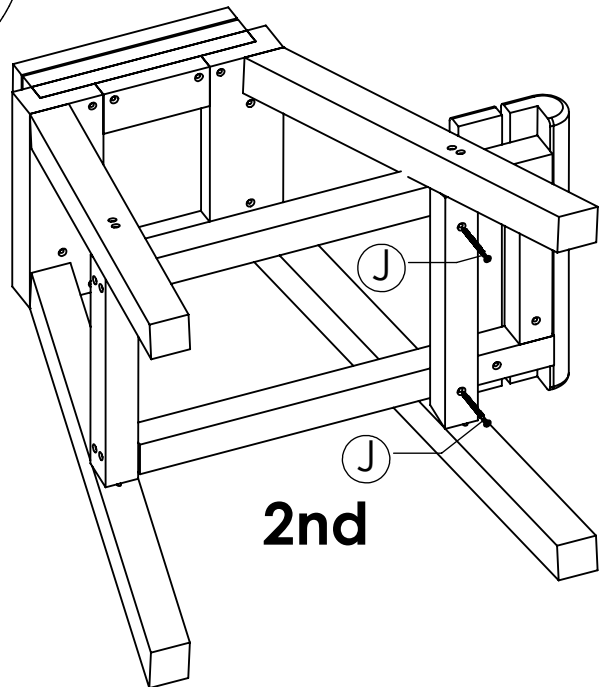


4

- (E) X1
- (J) X6



1st

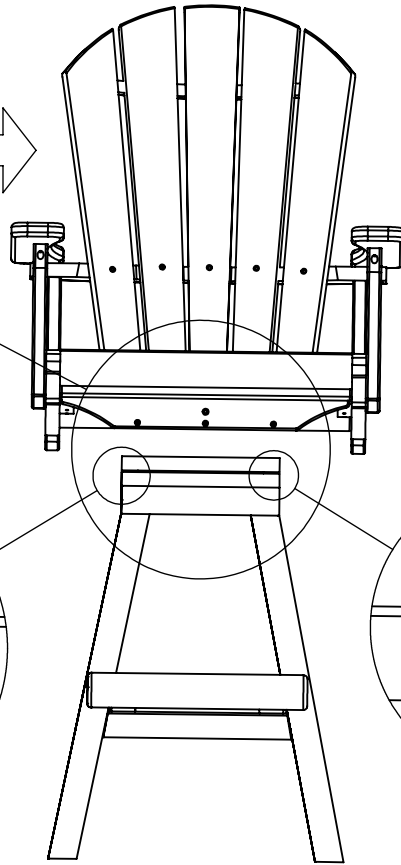
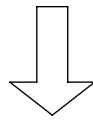
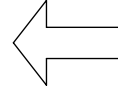
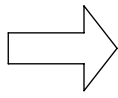
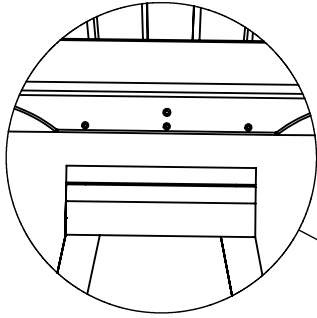


2nd

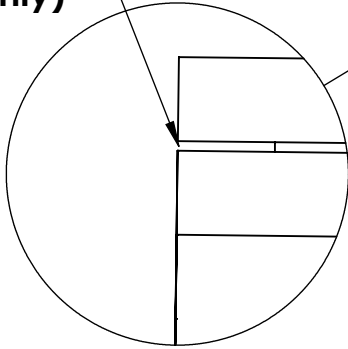
5

① X3

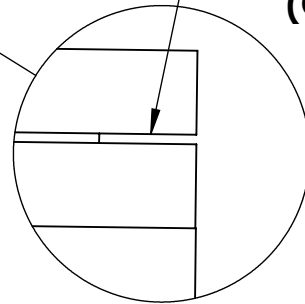
Seat & base centered



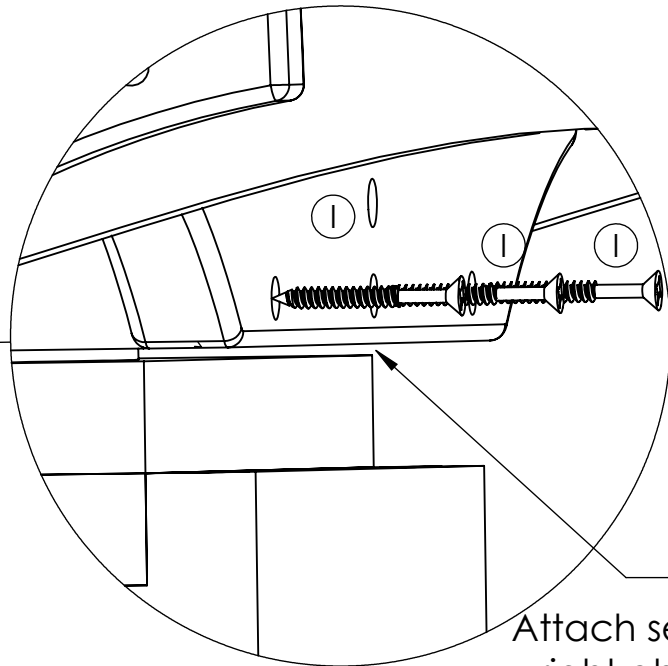
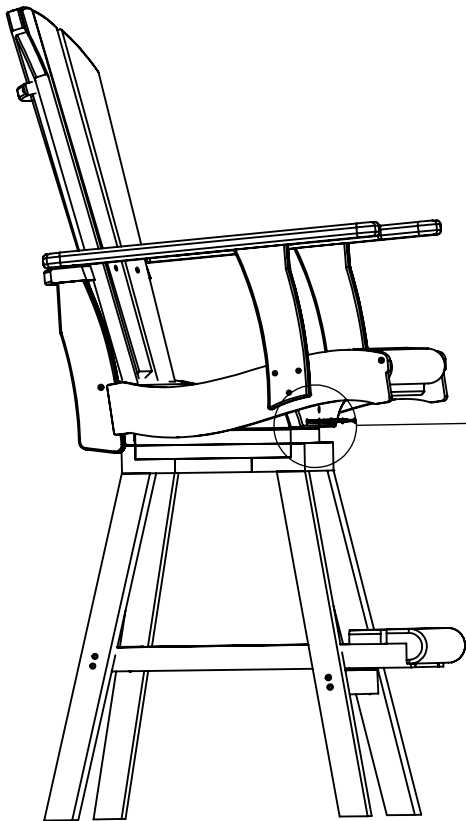
Swivel rotation gap (C25 only)



Swivel rotation gap (C25 only)



Attach front seat brace to base



Attach seat brace right above the rotation gap (C25 only)

6

① X3

C25-C26

