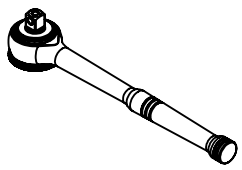
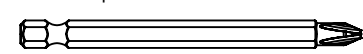


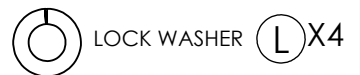
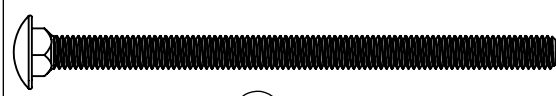
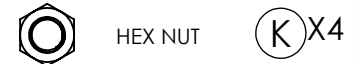
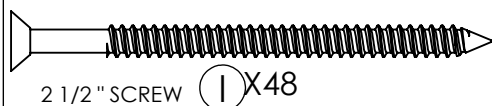
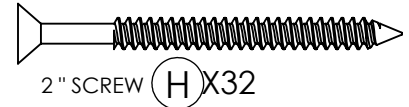
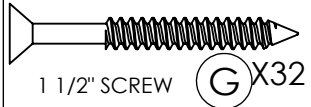
#2



6" Philips Driver Bit



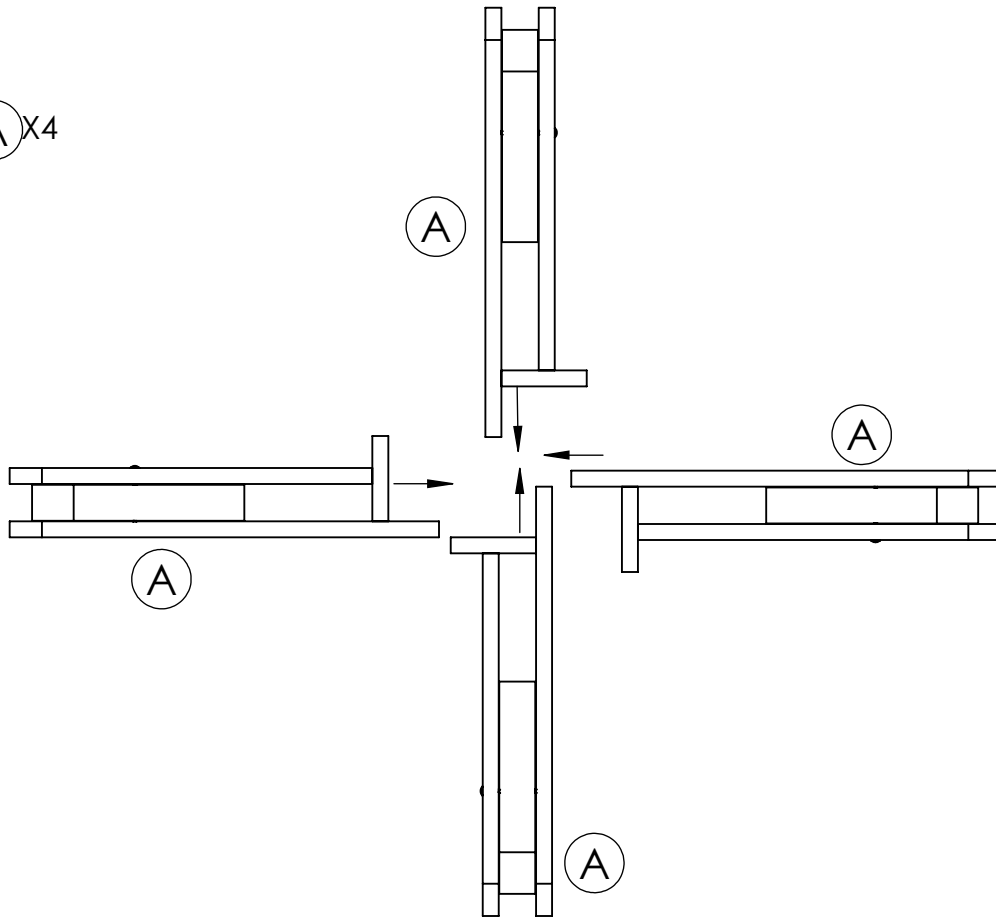
9/16"(14.2875) SOCKET / WRENCH/  
PHILLIPS/LONG ROBERTSON



BOLTS, HEX NUT, LOCK WASHER, WASHER ARE NOT PROPERLY SCALED

1

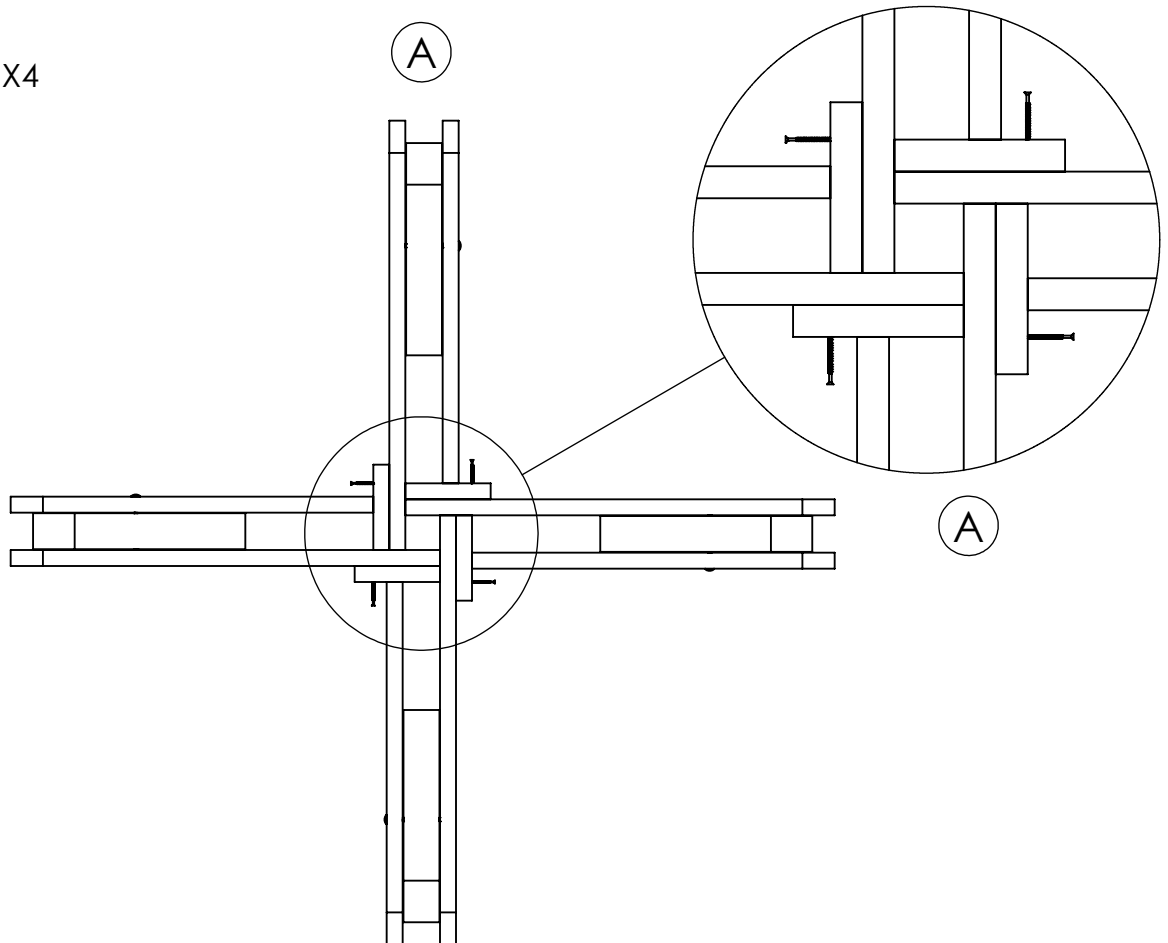
(A) X4



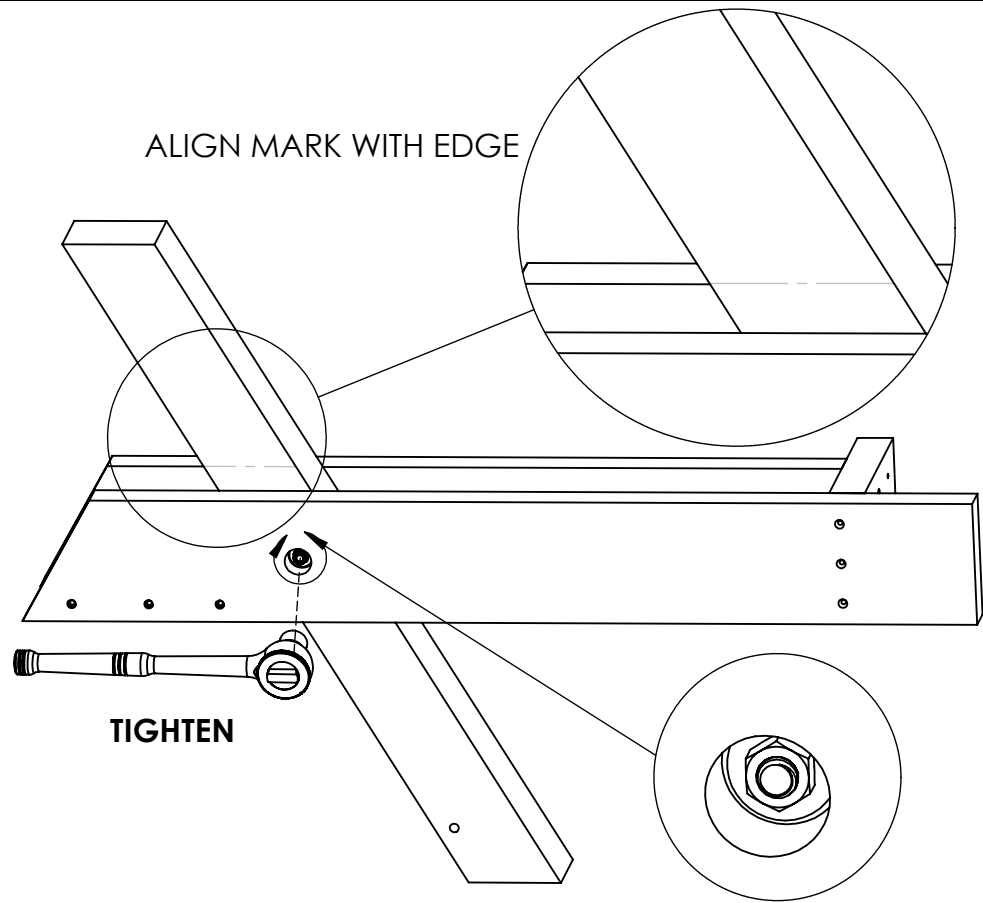
2

(A) X4

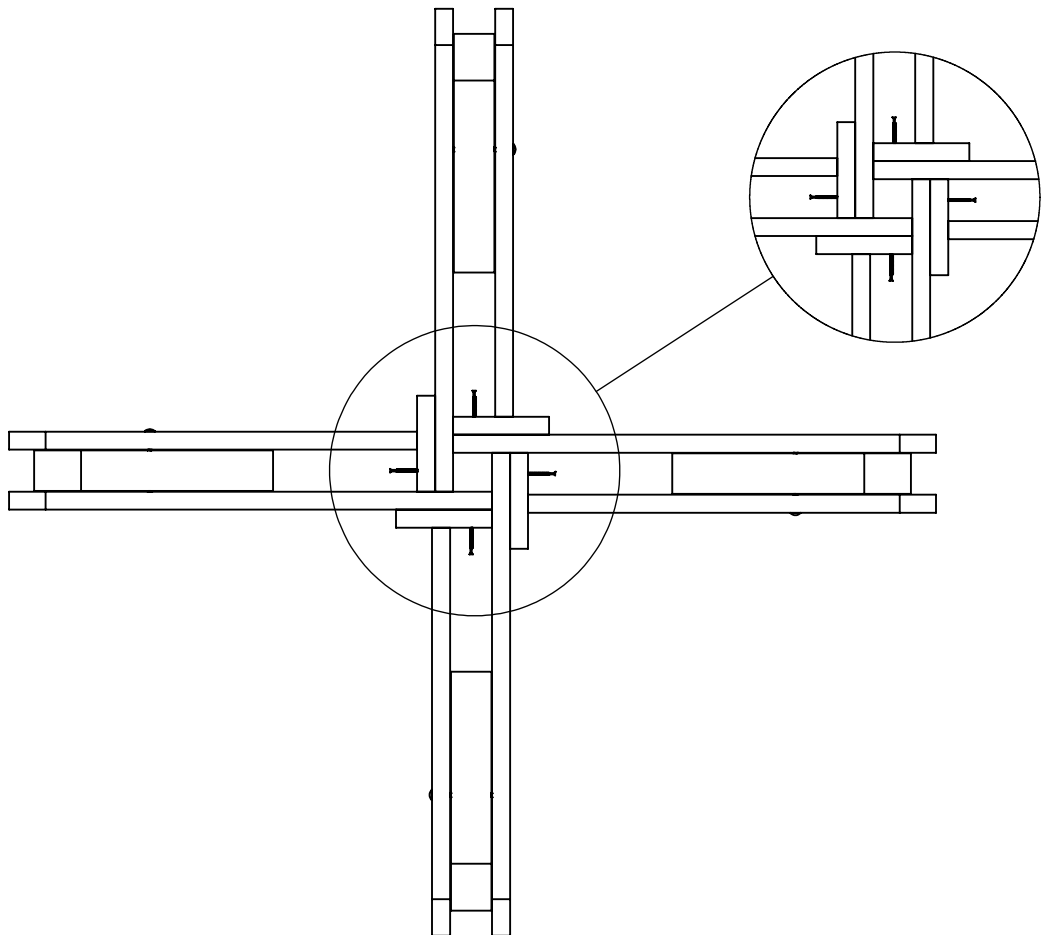
(I)



3 (A) X4



4 (I) X12

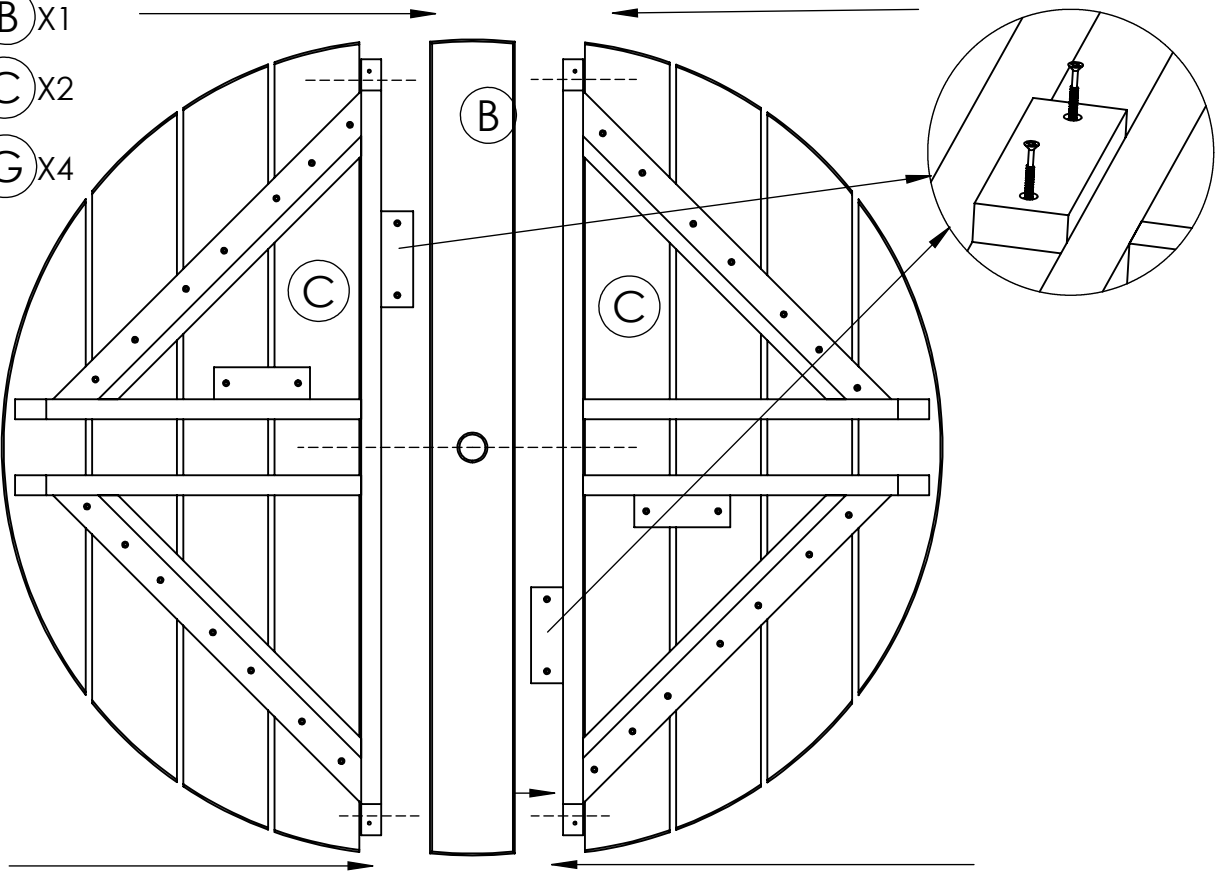


# 5

(B) X1

(C) X2

(G) X4



# 6

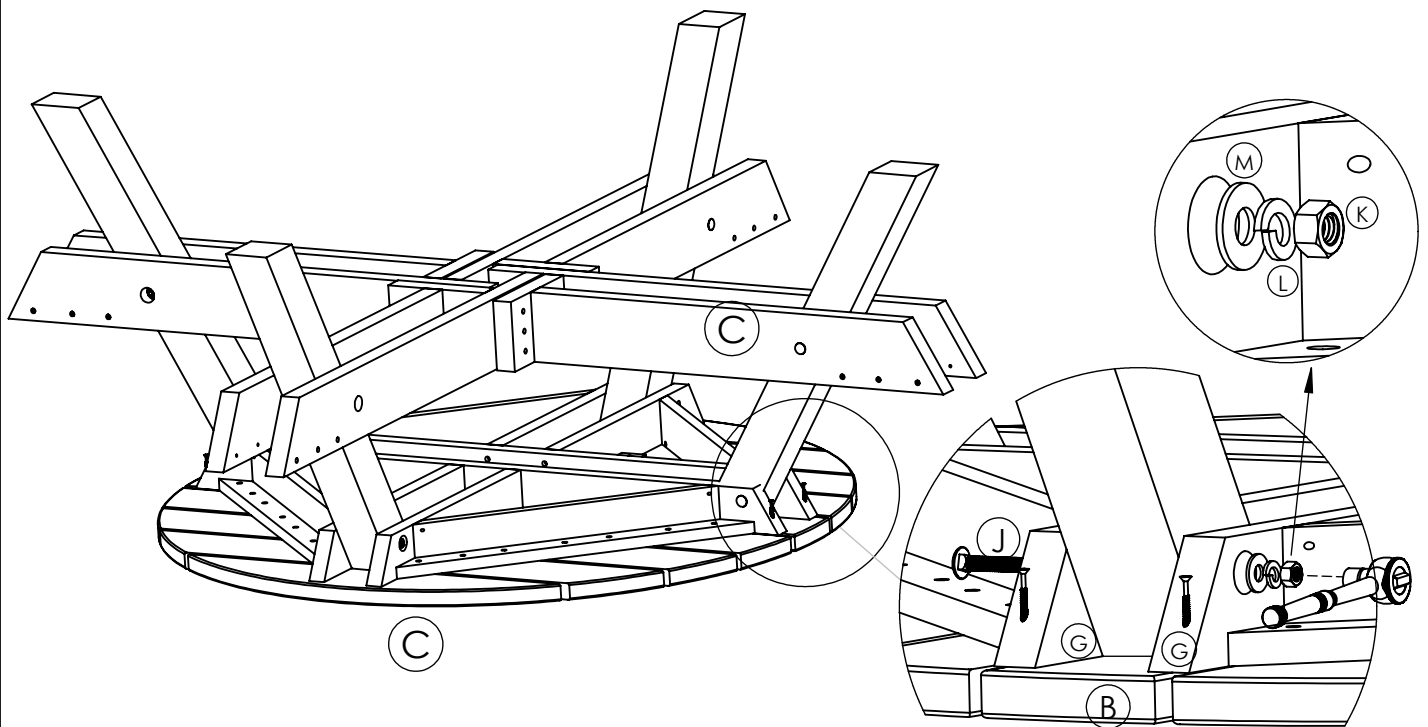
(G) X4

(J) X4

(K) X4

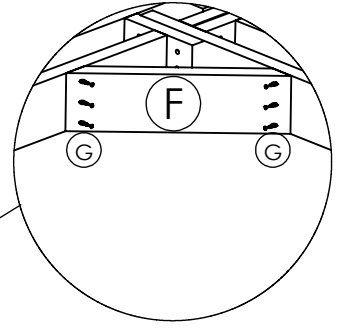
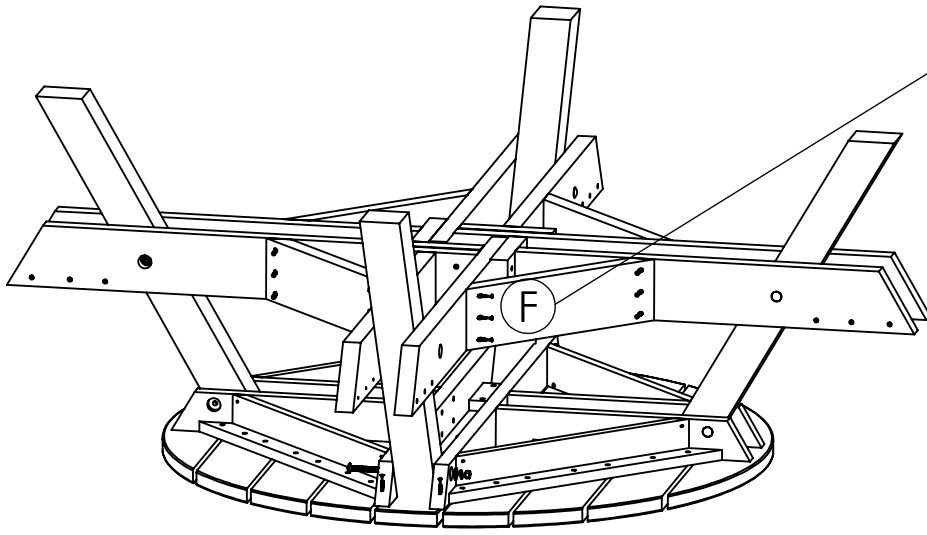
(L) X4

(M) X4



# 7

ⓐ X24  
ⓑ X4



# 8

Ⓓ X4  
Ⓔ X8  
ⓓ X24

ⓔ X32

